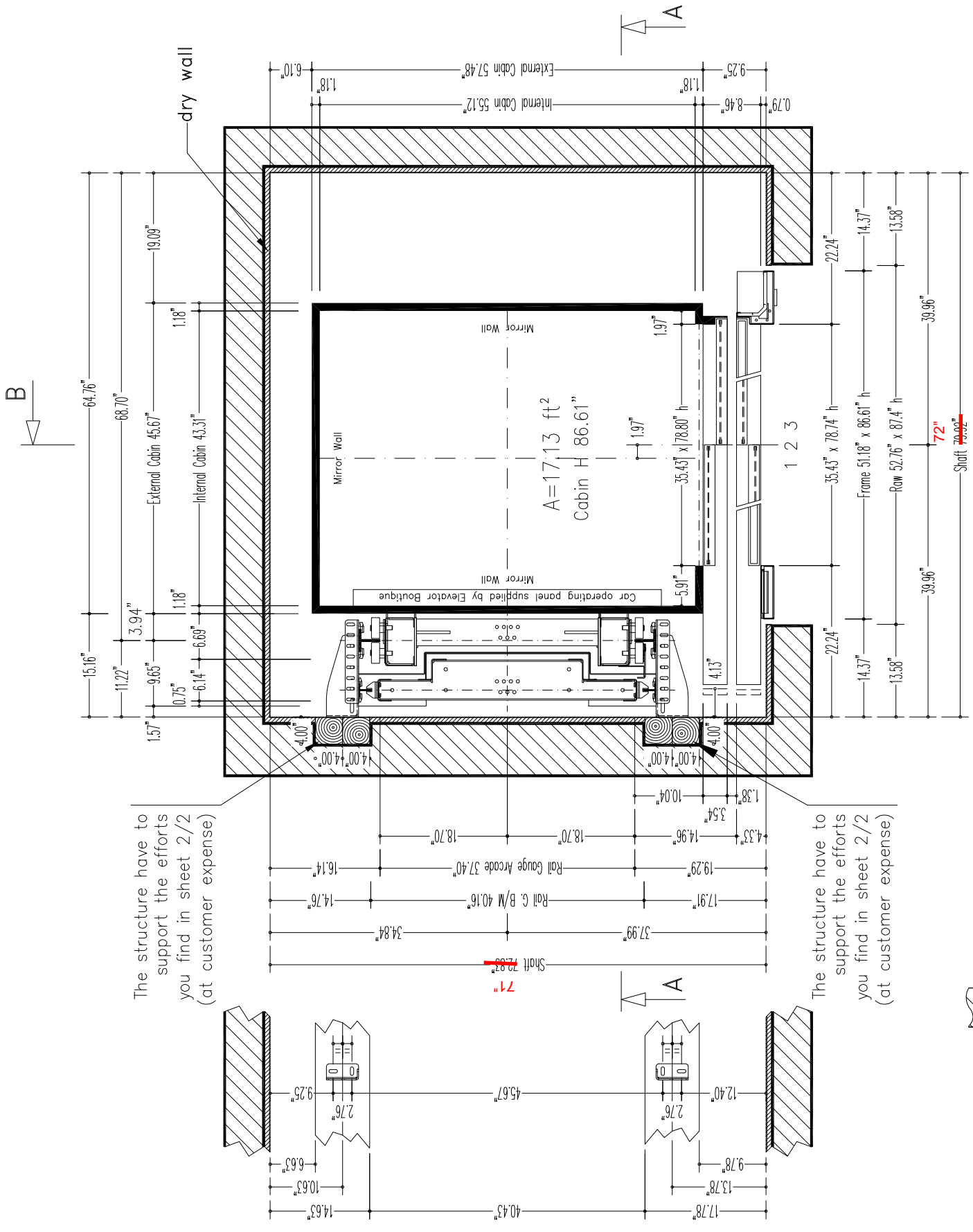


- STANDARD ACCESSORIES:**
- REMOVABLE ENABLING KEY FOR THE FLOOR BUTTON PANEL
- NOT STANDARD ACCESSORIES:**
- FULL HEIGHT INFRA-RED CURTAIN
 - MIRROR WALLS WITHOUT SCREW HOLES
 - AUTO DIALER EXCLUDED
 - CAR OPERATING PANEL SUPPLIED BY ELEVATOR BOUTIQUE

FT_01763

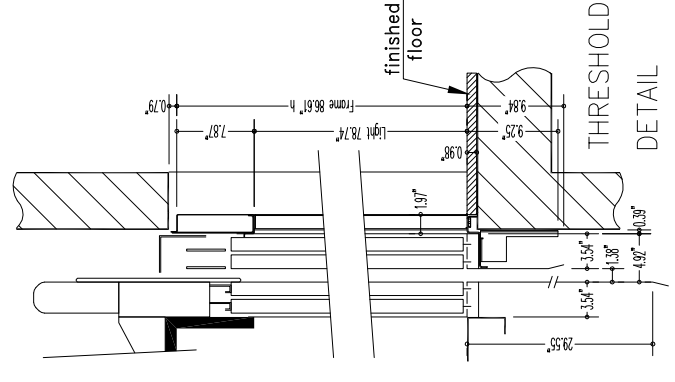
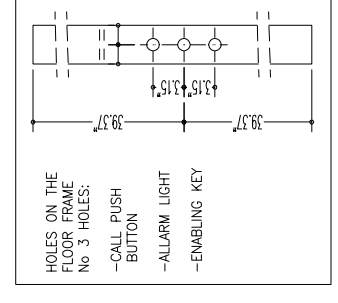
cabin	ATLANTIS - RW
cabin mass and operators (lbs)	934.76
panels	INOX Scotch Brite
finishings	INOX Scotch Brite
floor	Rocksolid 677
push button panel	Horizontal 6 holes
roof	Labirint INOX Scotch Brite
cabin doors colour	INOX Scotch Brite with transp window (oper. Prisma "Micro Std")
landing doors colour	1 3: INOX Scotch Brite ;
frame landing doors colour	2: INOX Scotch Brite with transp window
electrical s. cabinet colour	INOX Scotch Brite

Shaft typology: MASONRY		Sheet	1/2	Scale	1/20	first draft	14/12/2012	D. Tomei	13/02/2013	FINAL DESIGN DRAWINGS
Stops:	3	Doors:	3	Sheet dimension	A3	final drawing				
Modifications	d.									
	c.									
	b.									
Ref.	a	corsa era 6350; fossa era 1100.								D. Tomei
ORDER NUMBER	SM1645		CUSTOMER		SUPERMEC					



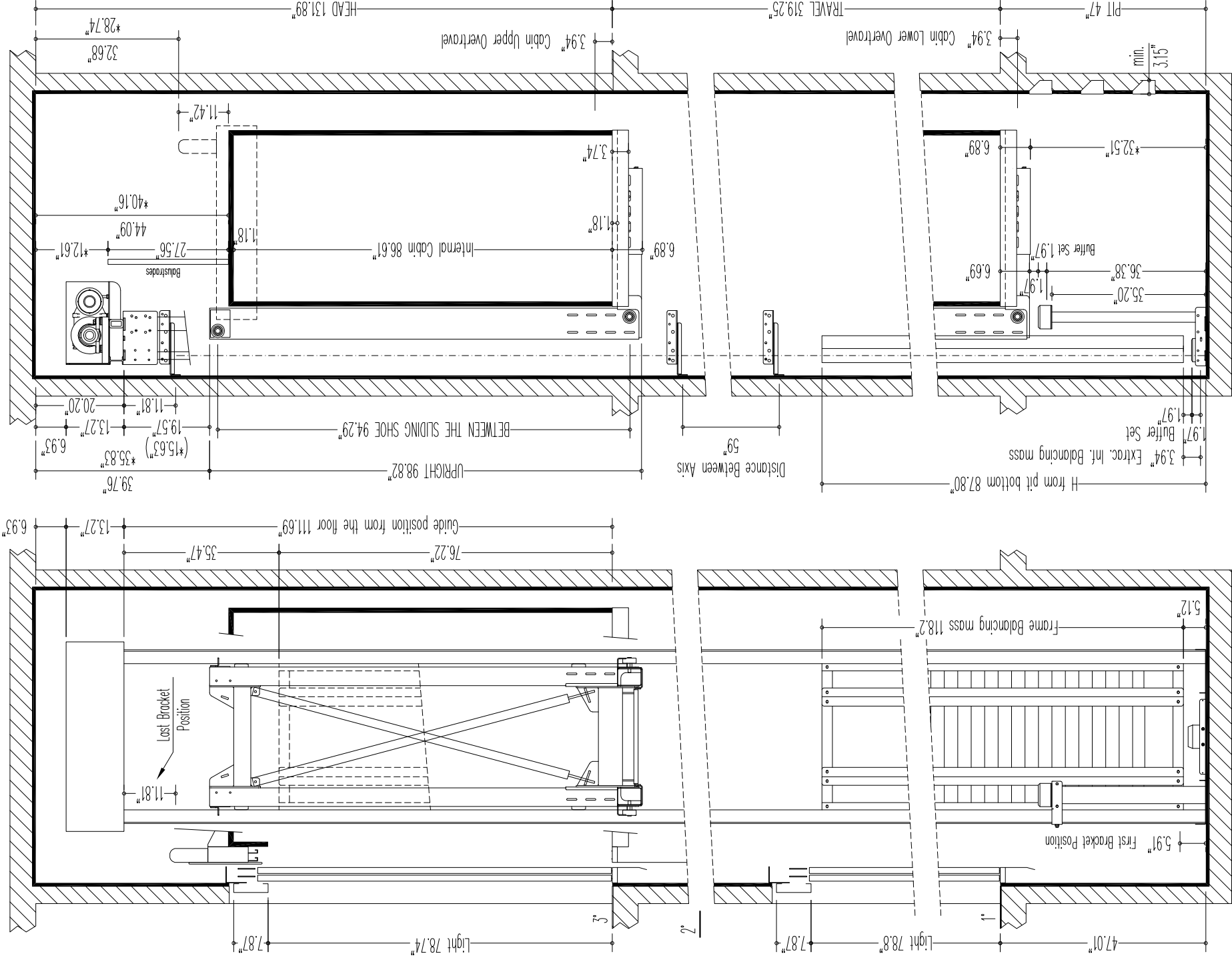
The structure have to support the efforts you find in sheet 2/2 (at customer expense)

The structure have to support the efforts you find in sheet 2/2 (at customer expense)



SECTION B-B

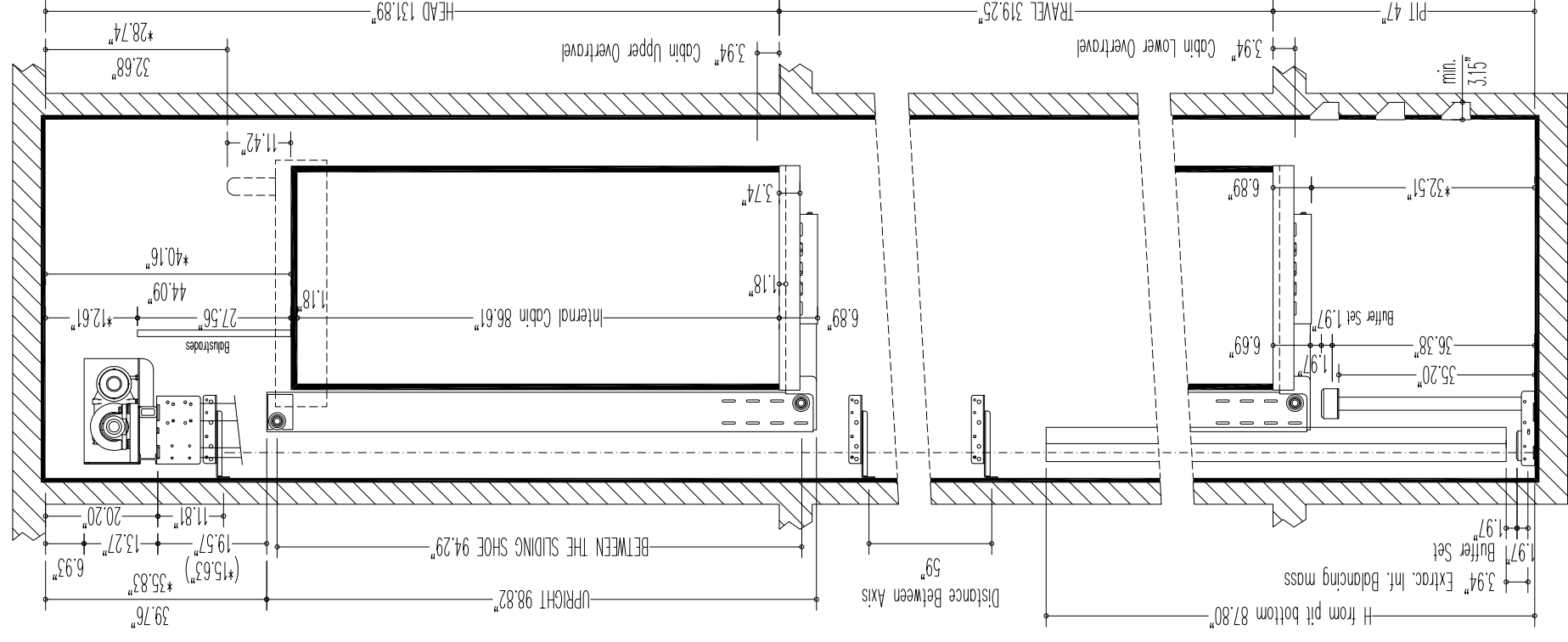
VENTILATION ON THE TOP OF THE SHAFT COMPLYING TO THE EXISTING NORMATIVES



reinforced-concrete slab on embankment

SECTION A-A

COMPLYING TO THE EXISTING NORMATIVES



*QUOTES IN OVERTRAVEL

FT_01763

NOTES FOR THE CUSTOMER

THE HORIZONTAL AND VERTICAL LOAD BEARING STRUCTURES MUST BE ABLE TO SUSTAIN THE LOADS INDICATED. THE HOISTWAY SHAFT MUST BE VENTILATED ACCORDING TO THE EXISTING NORMATIVES AND CONSTRUCTED IN ORDER THAT ALL EQUIPMENTS INSIDE IT ARE PROTECTED FROM DUST, UNHEALTHY VAPOUR AND HUMIDITY. THE DIMENSIONS OF THE LEVATOR SHAFT MUST BE GUARANTEED WITH AN ALLOWANCES OF 1 CM AND THE WALLS MUST BE PERFECTLY PLUMBED. IN THE CASE IN WHICH THE PIT IS MORE THAN 500 MM BUILT-IN STEPS ARE NECESSARY (140X100X400). THE CUSTOMER HAS TO WATERPROOF THE PIT AFTER THE FIXING OF THE EQUIPMENT IN THE PIT BOTTOM. THE PROJECT IS COMPILED IN ACCORDANCE TO THE EXISTING NORMATIVES.

FOR APPROVAL OF EVERYTHING CONCERNING THE MASONRY PARTS OF THE SHAFT.

DATE SIGN

SM1645 EN001.12

blancing mass P (lbF) 6684.08
cabin N (lbF) 9605.76

Thrust during normal operation
Fx (lbF) 360.59
Fy (lbF) -180.97
s (lbF) 1502.39
d (lbF) 1502.39
s' (lbF) 1335.58
d' (lbF) 1335.58

Thrust of safety gear device intervention
Fx (lbF) 600.91
Fy (lbF) 715.79
s (lbF) 330.91
d (lbF) 5114.17
s' (lbF) 164.11
d' (lbF) 164.11

reference directive 95/16/CE
maneuver universale
voltage of the battery charger (V) 230V
batteries 12V 27Ah

reduction gear STM PLM65 1/21.1
motor TTN209D 42Vcc 2070W 66A
block brake 23 N/m - 24V

arcade 950-m140x1100-H2510
safety gear LVT2000 DX P+Q=1059-1231 KG n. 2
arcade mass (lbs) 363.76
balancing (%) 49
balancing mass (lbs) 1627.01
pani n° 22x350 + n° 7x250 + n° 7x200
suspension cables WOLF n° 6x6.5
length (inch) 511.81
minimum breaking load (lbF) 7081.48

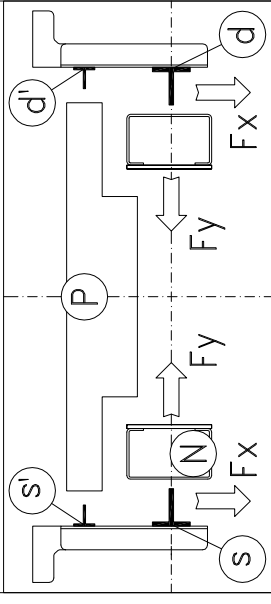
balanc. mass shock absorbers ETN 125 x 80
cabin shock absorbers ETN 125 x 80
cabin guides T80x80x9 x 477.95 inch - brackets n° 9
balancing mass guides T45/A x 477.95 inch

max speed (fpm) 98.42
load capacity (lbs) 1058.21
people capacity 6

Interfloors

2/3 = 174.00" inch
1/2 = 145.25" inch

THE QUOTES ON THE VERTICAL SECTIONS ARE NOT IN SCALE



Shaft typology: MASONRY		Sheet 2/2	Scale 1/30	first draft 14/12/2012	final drawing 13/02/2013
Stops: 3	Doors: 3	D. Tomei	D. Tomei	D. Tomei	
Modifications		d.	c.	b.	a.
Rif.		a corsa era 6350; fossa era 1100.			
ORDER NUMBER		SM1645			
ENERGY		D. Tomei 30/01/2013			