

Structure anchorage at customer expense, as per supplier prescribed modes:

- Headroom with min. 3 vertical legs.
- Along travel min 3 vertical legs with a pitch of max 3500 mm

STRUCTURE NOTE

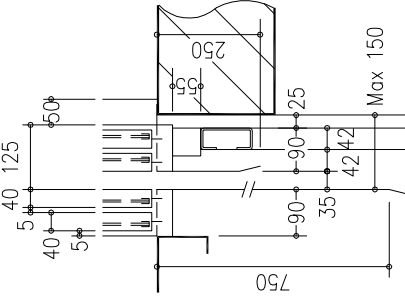
For the mounting of the structure infilling it needs a distance of min. 50 mm between the structure and the building.

CHARACTERISTICS OF STRUCTURE TIPO "R2"

- External Structure with Covering inclined as per drawing.
- Structure from pit bottom.
- Structure: covered Polished stainless steel Uprights and beams with internal casings in Polished stainless steel
- Panoramic glass covering on sides "A", "B", "C", "D": Transparent.
- Floor Covering: covered Polished stainless steel with internal casings in Polished stainless steel
- Distance Between Axis 1,25 m
- guides length 17660 mm – Guides cut down size 2500 mm

BEAMS AND ACCESSORIES FOR ANCHORAGE NOT INCLUDED (AT CUSTOMER EXPENSE)

THRESHOLD DETAIL



STANDARD ACCESSORIES:

- REMOVABLE ENABLING KEY FOR THE CABIN BUTTON PANEL
- REMOVABLE ENABLING KEY FOR THE FLOOR BUTTON PANEL
- PUSH BUTTON PANEL VERTICAL
- BUTTONS PAD ON THE WALL

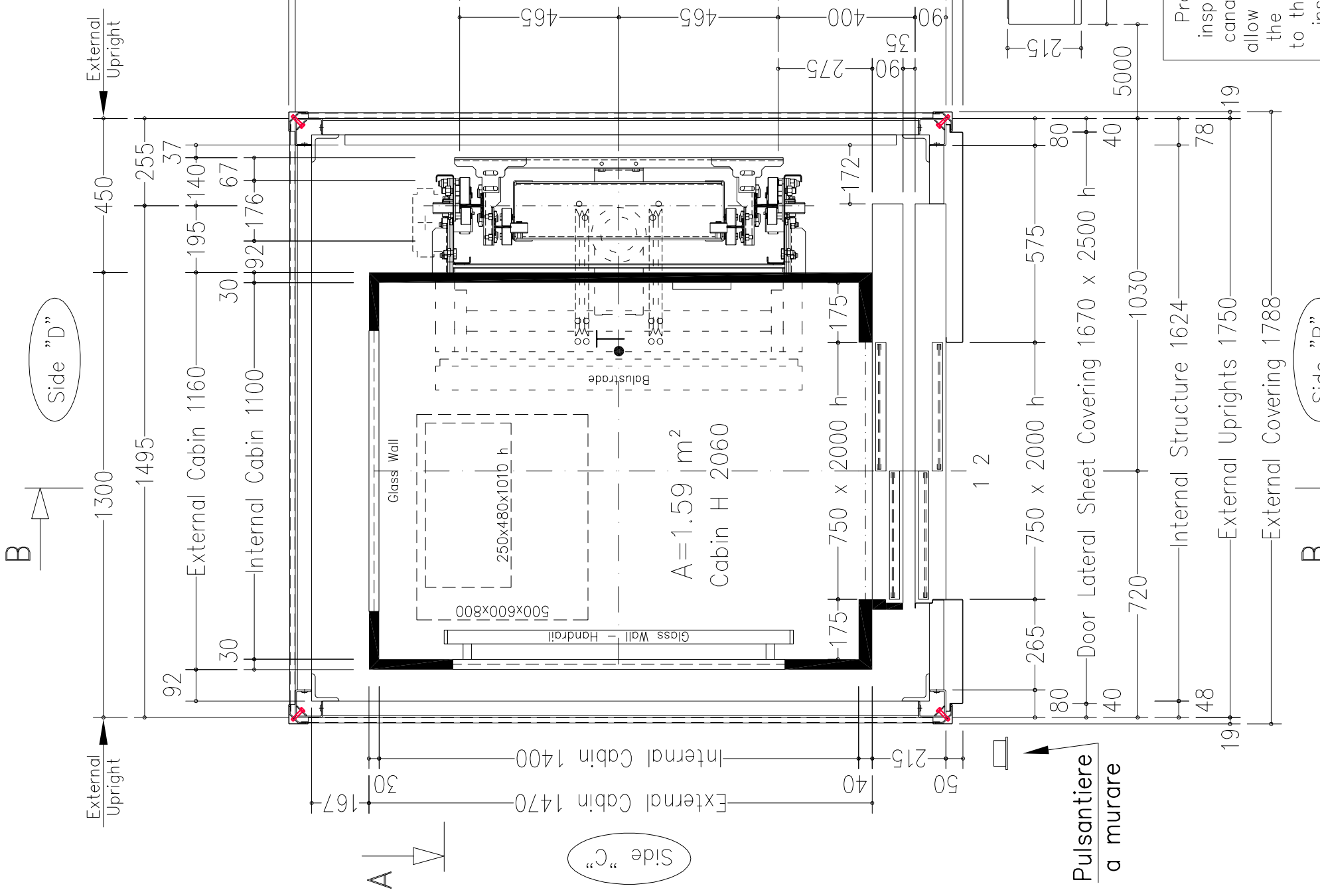
NOT STANDARD ACCESSORIES:

- FULL HEIGHT INFRA-RED CURTAIN
- CABIN OUTSIDE COVERING ON SIDE "C", "D": POLISHED STAINLESS STEEL
- CABIN PREPARED FOR FLOOR COVERING AT CUSTOMER EXPENSE (FLOOR THICKNESS 15 mm)
- AUTO DIALER EXCLUDED

ATLANTIS – SM	439	cabin mass and operators panels
INOX BA (Lucido)		finishings
INOX BA (Lucido)		floor
ESCLUSO DALLA FORNITURA		
Verticali a n° 6 fori		push button panel
Faretti INOX BA (Lucido)		roof
INOX BA (Lucido) con finestr. pan. trasp. (oper. CMM-E.2006)		cabin doors colour
INOX BA (Lucido) con finestr. panoramica trasparente		landing doors colour
Similinox F2PPS		electrical s. cabinet colour

NOTE:
-LANDING DOORS WITHOUT FRAMES (ONLY LATERAL DOOR OF STRUCTURE)

Sheet	1/1	Scale	A3	Sheet dimension	Scale	first draft	21/07/2010	D. Tomei	22/09/2010
Stops:	2	Doors:	2	Sheet	1/15	D. Tomei			
Modifications	d.								
	c.								
	b.	scelta luce porta da 750 contro 700.							
	a.	tetto il trave di ancoragg. per la struttura; tutto l'impianto inox S.B.; aggiunto tamburatura struttura; corsa era 3100.							
	MODEL								
									SUPERMEC

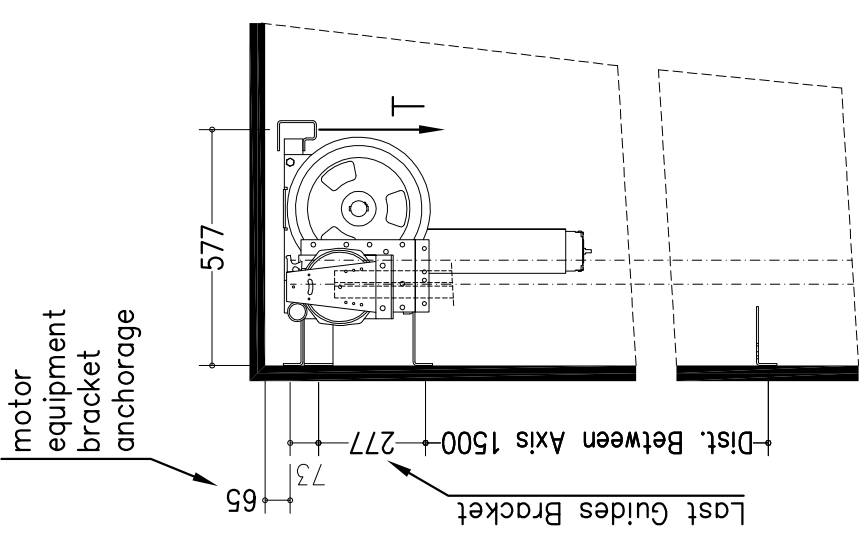


Provide an inspectionable canalization to allow the way to the piping and to the electrical installation.

Handling switchboard at floor 2, protected against water leaks and inside of the building.

<u>Max loads</u>	blancing mass P (N) 34029	arcade N (N) 43556	motor equipment T (N) 11549
<u>Thrust during normal operation</u>	Fx (N) 1206	Fy (N) 895	s (N) 1156
	d (N) 1156		
<u>Thrust of safety gear device intervention</u>	Fx (N) 3464	Fy (N) 1491	s (N) 12830
	d (N) 12830		
reference normatives maneuver	pr EN81.21 (2006) universale		
voltage of the battery charger batteries	220V	FIAMM-GS FG22703 12V 27Ah	
reduction gear motor	110 PAM 90 1/49 STM		
block brake	DAGU EE302 c.c. 40 V		
	12 N\m – 24 V		
arcade	930-480kg-m80x960-H2410		
arcade mass (Kg)	175		
balancing (%)	49		
balancing mass (Kg)	852		
components of the balanc. mass suspension cables	n° 10 pani e n° 169 piastre ALIOTO 9x6		
	length (mm) 7800		
minimum breaking load (N)	42100		
balanc. mass shock absorbers	ETN 125 x 80		
cabin shock absorbers	ETN 125 x 80		
cabin guides	GF770 x 6670 mm – staffe n° 7		
balancing mass guides	RF50 x 6470 mm		
speed (m/s)	0,3		
load capacity (Kg)	480		
people capacity	6		
Interfloors	1/2 = 3800 mm		
<p>THE QUOTES ON THE VERTICAL SECTIONS ARE NOT IN SCALE</p>			

Sheet typology: METALLIC STRUCTURE INCLUDED		Scale 1/30		D. Tomei		first draft 21/07/2010		final drawing 22/09/2010	
Stops:	2	Doors:	2	Sheet	2/2				
Modifications	d.	c.							
a.	scelta luce porta da 750 contro 700.								
b.	tolto il trave di ancoragg. per la struttura; tutto l'impianto inox S.B.; aggiunto tamburatura struttura; corsa era 3100.								
				D. Tomei		22/09/2010		D. Tomei	
				D. Tomei		22/09/2010		MODEL SUPERMEC	



NOTES FOR THE CUSTOMER

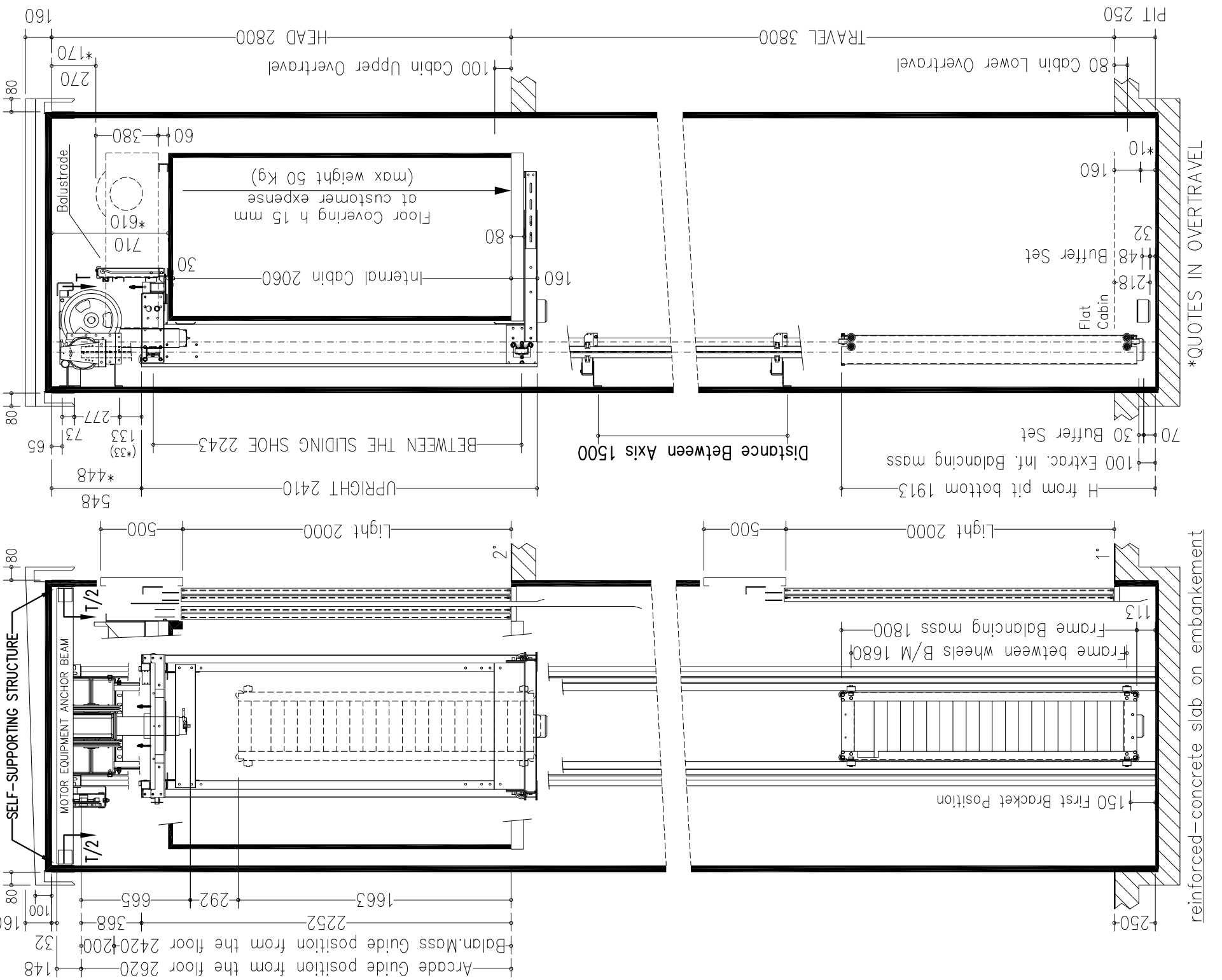
THE HORIZONTAL AND VERTICAL LOAD BEARING STRUCTURES MUST BE ABLE TO SUSTAIN THE LOADS INDICATED. THE HOISTWAY SHAFT MUST BE VENTILATED ACCORDING TO THE EXISTING NORMATIVES AND CONSTRUCTED IN ORDER THAT ALL EQUIPMENTS INSIDE IT ARE PROTECTED FROM DUST, UNHEALTHY VAPOUR AND HUMIDITY. THE DIMENSIONS OF THE LEVATOR SHAFT MUST BE GUARANTEED WITH AN ALLOWANCES OF 1 CM AND THE WALLS MUST BE PERFECTLY PLUMBED. IN THE CASE IN WHICH THE PIT IS MORE THAN 500 MM BUILT-IN STEPS ARE NECESSARY (140X00X400). THE CUSTOMER HAS TO WATERPROOF THE PIT AFTER THE FIXING OF THE EQUIPMENT IN THE PIT BOTTOM. THE PROJECT IS COMPILED IN ACCORDANCE TO THE EXISTING NORMATIVES.

FOR APPROVAL OF EVERYTHING CONCERNING THE MASONRY PARTS OF THE SHAFT.

DATE _____ SIGN _____

SECTION A-A

VENTILATION ON THE TOP OF THE SHAFT COMPLYING TO THE EXISTING NORMATIVES



SECTION B-B

SELF-SUPPORTING STRUCTURE

reinforced-concrete slab on embankment

*QUOTES IN OVERTRAVEL

