

Missing information:
 Customer Covering th. ?? mm
 Glass door type

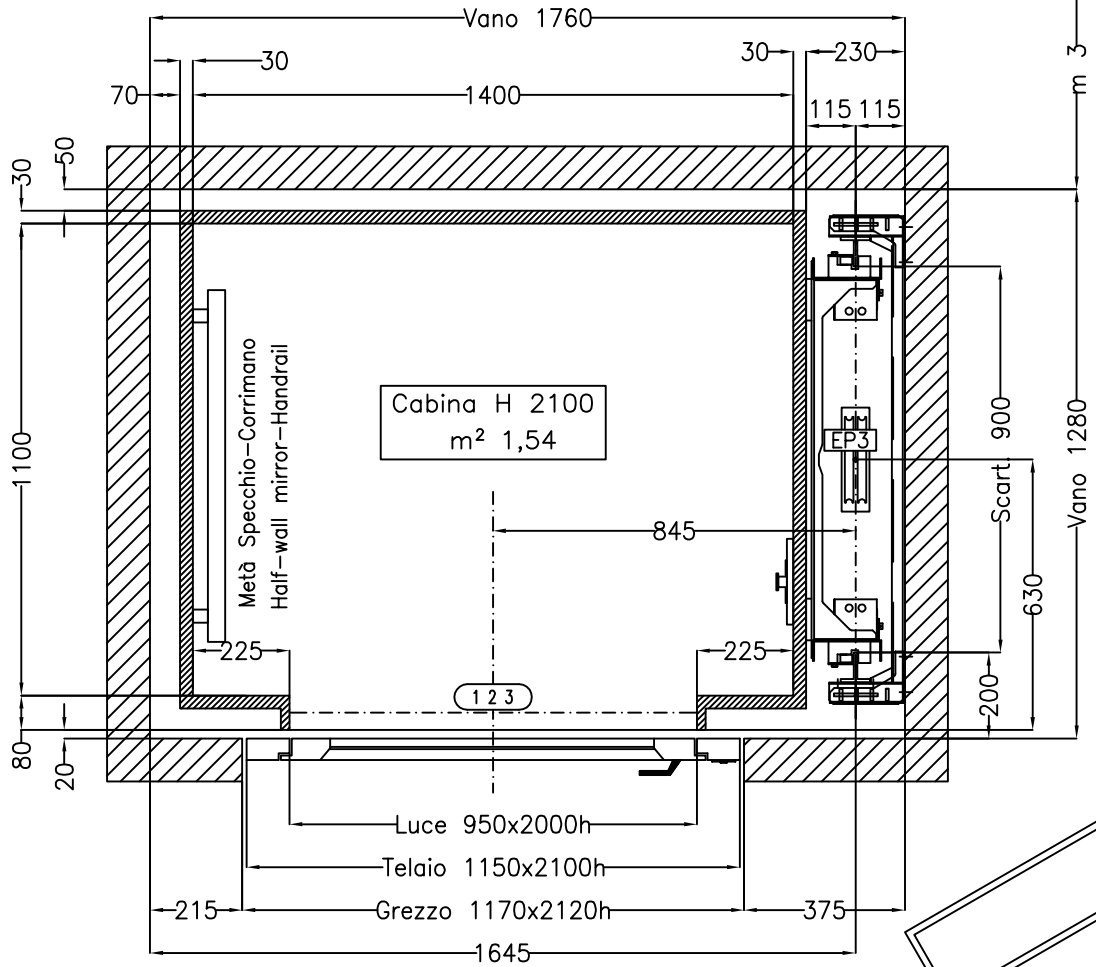
ATTENTION : incomplete drawing for missing project specifications

NOT STANDARD

Floor Cabin Prepared for
 Customer Covering th. ?? mm Max 50 kg

Provide an inspectionable canalization to allow the way to the piping and to the electrical installation.

Handling switchboard Hydraulic unit Floor 1

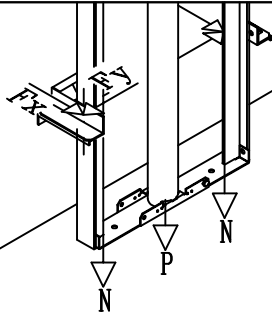


EL

ATTENTION : incomplete drawing for missing project specifications

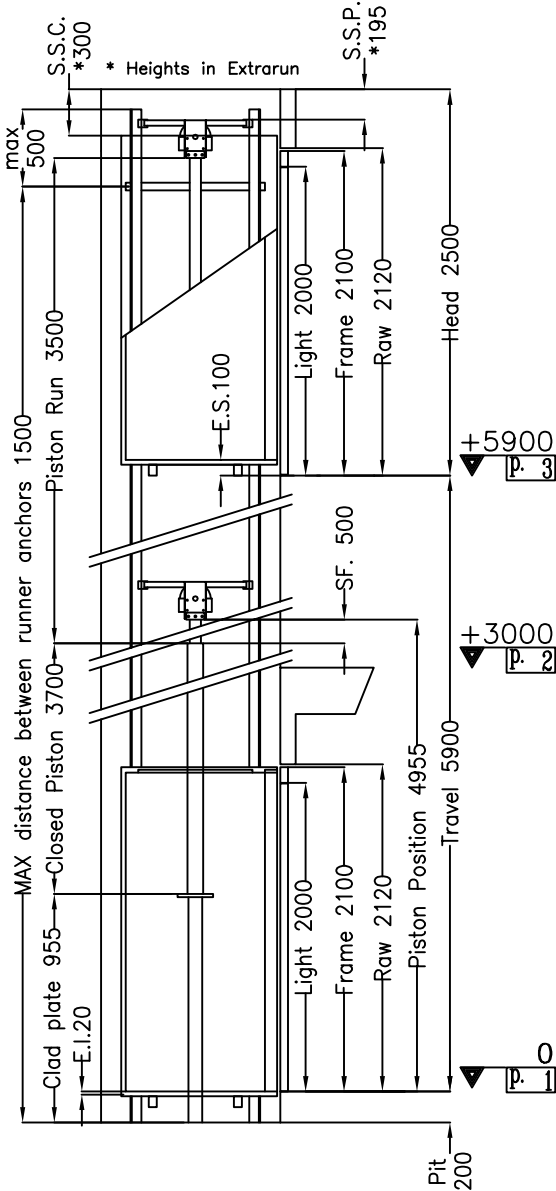
Shaft: muratura		SHEET DIMENSION A3		DATE OF MODIFICATIONS		Stops: 3		Doors: 3	
Disegno Preliminare						Check that the characteristics given in the technical drawing are in accordance with the order form			
Modifications	d .					HOISTWAY NOTES FOR THE CLIENT ○ Load bearing structures of the hoistway must be able to sustain the loads indicated. The dimensions of the elevator shaft must be guaranteed with allowances of ± 1 cm. and the walls must be perfectly plumbed ○ We suggest making ventilation ducts with surfaces of at least 1% of the horizontal section of the hoistway. ○ The pit must be protected against water leaks.			
	c .								
	b .								
	a .								
		SPEED 0,30 m/s		Preliminary drawing Dario Ogliastro					
		CAPACITY 350 kg		Date of first draft 03.12.07					
				Scale 1/12.5		Sheet 1/2			

**ATTENTION : incomplete drawing
for missing project specifications**



Accessori:
 Predisposizione Fotocellula tutta parete
 Barre guide da 2,5 m
 Impianto con pressostato
 Portata >300 kg
 Arcata rinforzata – Mensola tipo UK
 Scartamento imposto
 Manovra Automatica
 Velocità Nominale 0,30 m/s
 Parete Metà Specchio Lato 3
 Corrimano Lato 3

THE LIFT HAS VALUE ONLY FOR
THE VERTICAL HEIGHTS SHOWN



Indirect Installation Ver. 20.07.07

Thrust during normal operation		03.12.07 – 09:45
P	(N) 10296	
N	(N) 759	
Fx	(N) 1630	
Fy	(N) 320	

Thrust of safety device intervention	
P	(N) 619
N	(N) 6940
Fx	(N) 3039
Fy	(N) 0

Pressures	
max static pressure	(bar) 34,07
min static pressure	(bar) 16,22
overpressure limit	(bar) 47,69
residual pressure	(bar) 1,61

Spaces	
extrarun below cabin E.I.	(mm) 20
extrarun above cabin E.S.	(mm) 100
piston extraction SF.	(mm) 500
piston/head S.S.P.	(mm) 195
cabin/head S.S.C.	(mm) 300

Hydraulic unit	
piston	MORIS 9130
diam. (mm)	70x5
total piston run (mm)	3500
closed piston (mm)	3700
opt. oil position	basso
central unit	MORIS CM3A
capacity (l/min)	35
motor (V)	220
power (Hp)	4,5
tubing	ø1"1/4 R2 AT FD+F90° M45X2
length (mm)	7000
hydraulic oil	min. litres (L) 78

Mechanical parts	
runners T70/2A	
length (mm)	8510
brackets (qt.)	6
cables 9 mm (S 114+1)	
length (mm)	2 x 10900
Minimum actual breaking load (N)	40100
zinc clad plate 88.9	
length (mm)	955
arcade AEP3 scart.900 mens.131 mont.2100 cil. 70	
Pilot Cable (mm)	15000

Cabin	
panels	Inox Scotch Brite
finishes	Inox Scotch Brite
floor rivest.	Cliente mm
operator panel	Inox Scotch Brite – Verticale Cod.T5
	FARETTI Inox Scotch Brite

Lobby doors:	All	Panoramic type TBA
Covered Scotch Brite Stainless Steel		
Tubular handles model CASPIM		

Check that the characteristics given in the technical drawing are in accordance with the order form

Disegno Preliminare		VIEW	Preliminary drawing	DATE OF MODIFICATIONS
			Dario Ogliaistro	
Modifications	d	.		.
	c	.		.
	b	.		.
	a	.		.
DATE	SHFET	Security Devices		
CAPACITY: 350 kg		Safety Gear	TUV AFV515	
		Manufacturer:	PFB – BP1	
		Block Valve	IMQ I0222	
		Manufacturer:	MORIS – 0825/P	
		Key Locks	-	
		Manufact.:	-	

Accessories:
 Preparation for Full Height Infra-red Curtain
 Guides bars dimension 2,5 m
 Installation with Pressostat
 Capacity >300 kg
 Reinforced Arcade – Bracket type UK
 Obligated rail gauge
 Automatic Control
 Nominal Speed 0,30 m/s
 Sidewall Half Mirror Side 3
 Handrail Side 3

