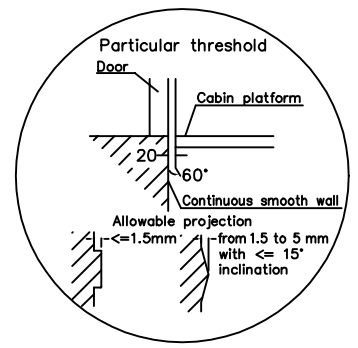


Internal LEGOLIFT structure with Covering.
 Structure from pit bottom.
 Structure Anodised aluminium
 Panoramic covering: Glass 8/9.
 side 1 withe milk; Site 2, 3 and 4 Trasparent
 see 3/3 table

Struttura per INTERNO LEGOLIFT con Copertura.
 Partenza Struttura dal fondo fossa.
 Struttura alluminio anodizzato
 Tamponamenti panoramici: Vetro 8/9
 Lato 1 bianco latte; Lati 1, 2 e 4 trasparente.



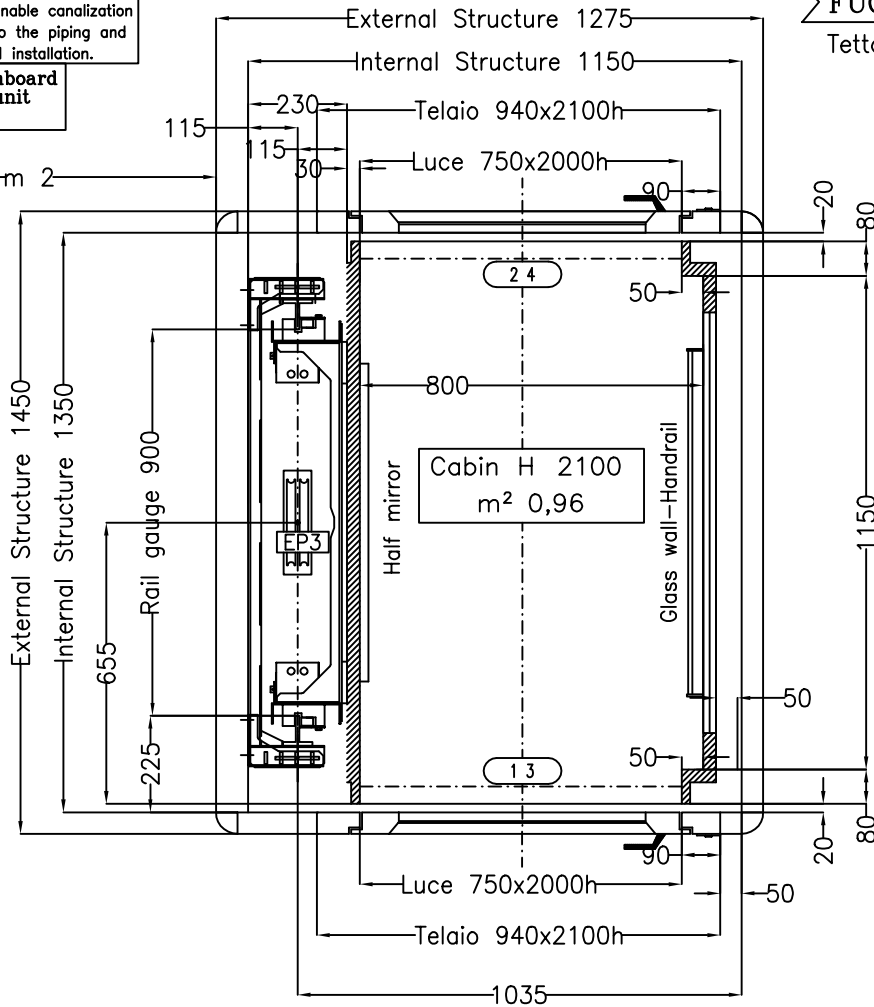
Make the anchorage
 in height of at least
 3 uprights both in head
 and every 3,5 m max.

Provide an inspectionable canalization
 to allow the way to the piping and
 to the electrical installation.

Handling switchboard
 Hydraulic unit
 Floor 1

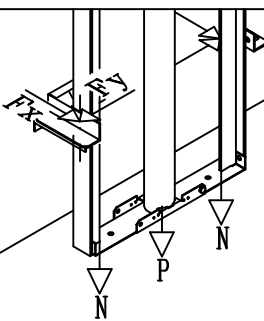
FUORI STANDARD

Tetto in acciaio tipo fiera illuminato



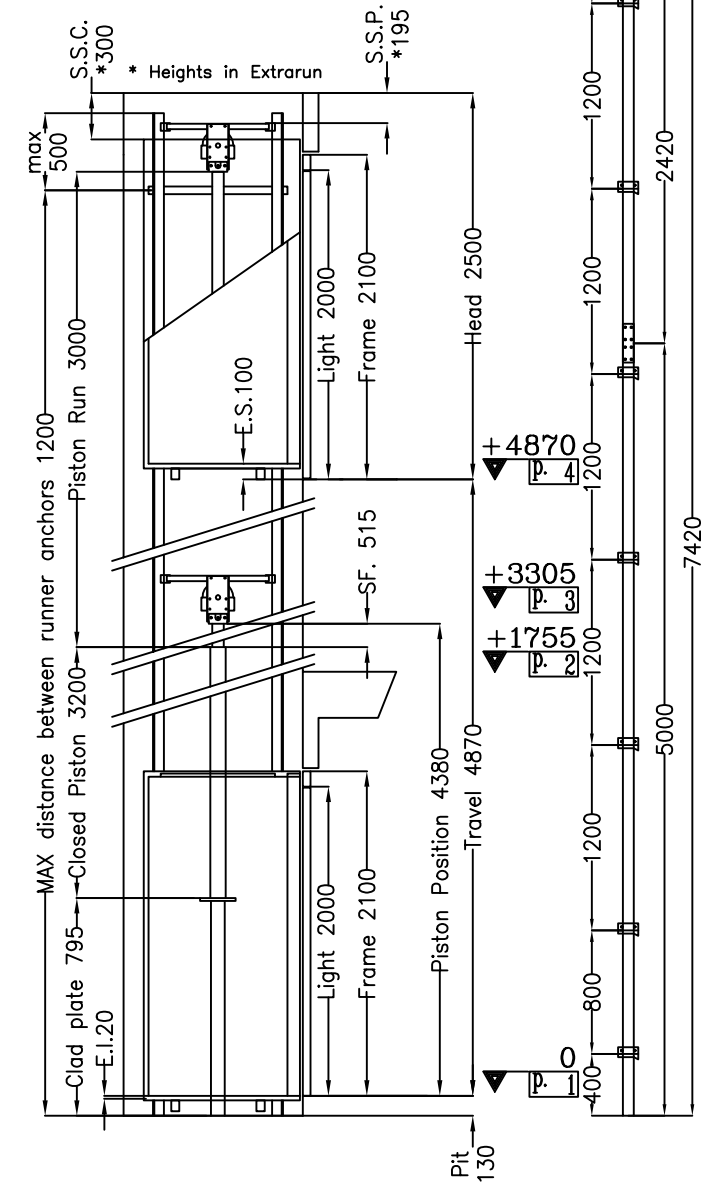
Shaft: structure included in the order

Disegno Definitivo		SHEET DIMENSION A3	DATE OF MODIFICATIONS	Stops: 4	Doors: 4
Modifications	d .			Check that the characteristics given in the technical drawing are in accordance with the order form	
	c .				
	b .				
a	mod cernieratura porte metalliche , luce 750, vano 1450		07/11/2005	HOISTWAY NOTES FOR THE CLIENT ○ Load bearing structures of the hoistway must be able to sustain the loads indicated. The dimensions of the elevator shaft must be guaranteed with allowances of ± 1 cm. and the walls must be perfectly plumbed ○ We suggest making ventilation ducts with surfaces of at least 1% of the horizontal section of the hoistway. ○ The pit must be protected against water leaks.	
I	MODEL ELFO AEP3 Indirect	SPEED 0.25 m/s	Preliminary drawing Dario Ogliastro		
	Order 16101	CAPACITY 350 kg	Date of first draft 21.10.05		
EP Elevatori Premontati		cale 1/12.5	Sheet 1/3		



Accessori:
 Predisposizione Fotocellula tutta parete
 Dispositivo DITEC
 Canalina per cont. Cavi
 Impianto con pressostato
 Portata >300 kg
 Passo Massimo Staffe non standard
 Pompa a mano
 Arcata rinforzata – Mensola tipo UK
 Manovra Automatica
 Velocità Nominale 0,25 m/s
 Parete tutta Panoramica Lato 3
 Parete Metà Specchio Lato 1

THE LIFT HAS VALUE ONLY FOR THE VERTICAL HEIGHTS SHOWN

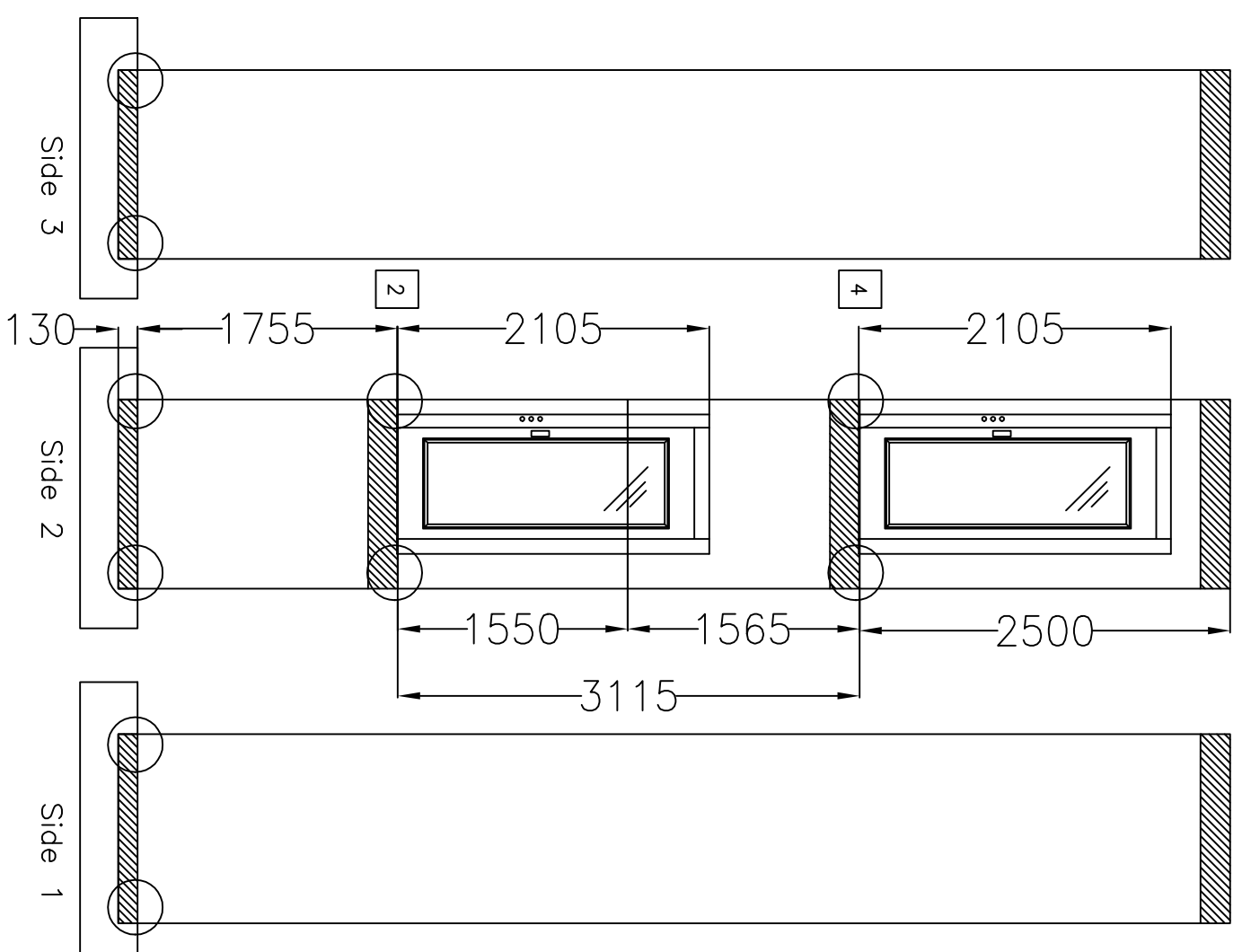
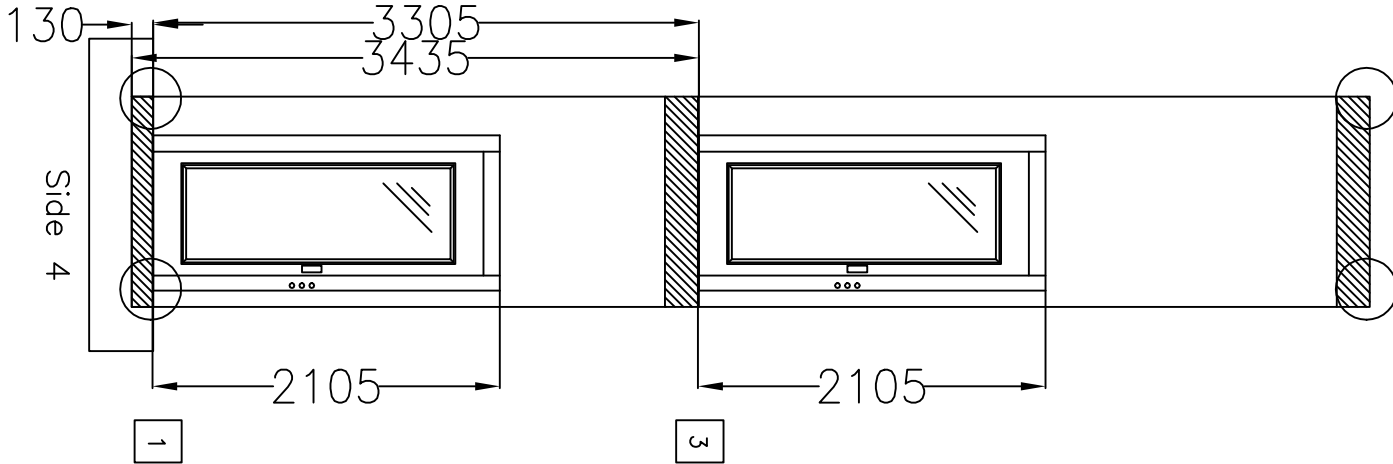


Indirect Installation	Ver. 31.05.05
Thrust during normal operation	21.11.05 – 15:07
P	(N) 9565
N	(N) 660
Fx	(N) 955
Fy	(N) 347
Thrust of safety device intervention	
P	(N) 738
N	(N) 6241
Fx	(N) 1782
Fy	(N) 0
Pressures	
max static pressure	(bar) 23,90
min static pressure	(bar) 10,24
overpressure limit	(bar) 33,46
residual pressure	(bar) 1,47
Spaces	
extrarun below cabin E.I.	(mm) 20
extrarun above cabin E.S.	(mm) 100
piston extraction SF.	(mm) 515
piston/head	S.S.P. (mm) 195
cabin/head	S.S.C. (mm) 300
Hydraulic unit	
piston	MORIS 9130
diam. (mm)	80x7,5
total piston run (mm)	3000
closed piston (mm)	3200
opt. oil position	basso
central unit	MORIS CP1
capacity (l/min)	35
motor (V)	220
power (Hp)	3,5
tubing	Ø1"1/4 R2 AT FD+F90° M45X2
length (mm)	6000
hydraulic oil	
min. litres (L)	73
Mechanical parts	
runners	T70/2A
length (mm)	7420
brackets (qt.)	7
cables 9 mm (S 114+1)	
length (mm)	9900
Minimum actual breaking load (mm)	40100
zinc clad plate 88.9	
length (mm)	795
arcade	AEP3 scart.900 mens.96 mont.2100 cil. 80
Pilot Cable	(mm) 15000
Cabin	
panels	Inox Scotch Brite
finishes	Inox Scotch Brite
floor	Fog VM20153
operator panel	Inox Scotch Brite 900 mm
Lobby doors:	<input checked="" type="checkbox"/> All rivestite alluminio <input type="checkbox"/> Panoramic Transparent Glass
Porte ai piani:	<input checked="" type="checkbox"/> Tutte rivestite alluminio <input type="checkbox"/> Vetro panor. trasparente

Check that the characteristics given in the technical drawing are in accordance with the order form

Disegno Definitivo	VIEW	Preliminary drawing	DATE OF MODIFICATIONS
		Dario Ogliastro	
Modifications	d	.	.
	c	.	.
	b	.	.
	a	.	.
DATE	SHEET	Security Devices	
21.10.05	2/3	Safety Gear	TUV AFV515
CAPACITY: 350 kg		Manufacturer:	PFB – BP1
		Block Valve	IMQ I0222
		Manufacturer:	MORIS – 0825/P
		Key Locks	IMQ I0110
		Manufact.:	Tieffe-Tieffe 2000

Accessories
 Preparation for Full Height Infra-red Curtain
 Dispositivo DITEC
 Box containing cables in shaft
 Installation with Pressostat
 Capacity >300 Kg
 Max not Standard brackets distance
 Hand Pump
 Reinforced Arcade – Bracket type UK
 Automatic Control
 Velocità Nominale 0,25 m/s
 Sidewall tutta Panoramica Side 3
 Sidewall Half Mirror Side 1



○ ancoraggi possibili

Check that the characteristics given in the technical drawing are in accordance with the order form.

MODIFICHE		DATA
d	.	MODIFICHE
c	.	.
b	.	.
a	.	.

Internal LEGOLIFT structure with Covering.
 Structure from pit bottom.
 Structure Anodised aluminium
 Panoramic covering: Glass 8/9.
 side 1 withe milk; Site 2, 3 and 4 Transparent
 see 3/3 table

Struttura per INTERNO LEGOLIFT con Copertura.
 Partenza Struttura dal fondo fossa.
 Struttura alluminio anodizzato
 Tamponamenti panoramici: Vetro 8/9
 Lato 1 bianco latte; Lati 1, 2 e 4 trasparente.
 Vedi tavola 3/3



Disegnatore
 Ogliastro Dario
 DATA
 17/11/2005

FOGLIO
 3/3