

### FLOOR DOOR

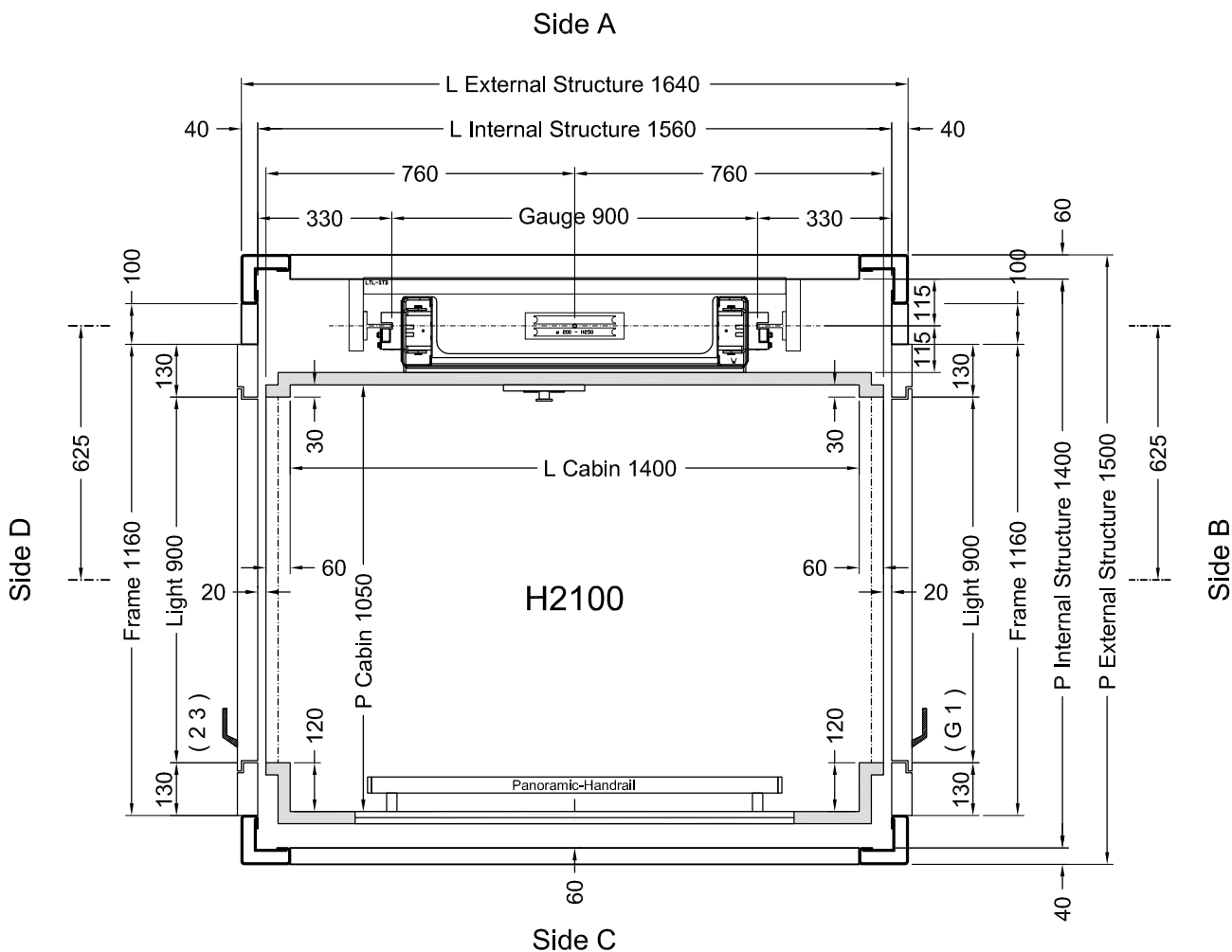
Side B	Side C	Side D	VERSION	H LIGHT	H FRAME	FRAME	WINDOW	GLASS	ACCESSORIES
G 1		3	Not Supplied by EP	2000	2110		Absent		C2
		2	Not Supplied by EP	2000	2110		Absent		C2

C1 = Enabling key for the floor button pad (single insertion) C2 = Enabling key for the floor button pad (double insertion) PM = Button pad on the wall PE = Outside lock and button pad

### Shaft V66 ()

ENVIRONMENT	VERSION	CLADDING	START	ROOF	ANCHORAGE
Inside	RAL 9006	Glass Transparent	Pit bottom	For Inside	Anchorage to care of the Customer. Ancoraggio a cura del Committente.
Interno	RAL 9006	Vetro trasparente	Fondo Fossa	Per interno	

Release for RAL colors pearl I declare that I'm aware of the fact that differences in color may occur between the RAL color card and the effective color painted on the doors and/or structure, and I agree to these differences. The components to be painted RAL pearl color will be provided semi smooth, non embossed




Customer own flooring: Dimensions **1460 (L) x 1050 (P)** thks **20 mm** Weight: **26 kg**

**Stops: 4 - Doors: 4**

Shaft in **Shaft V66 ()**

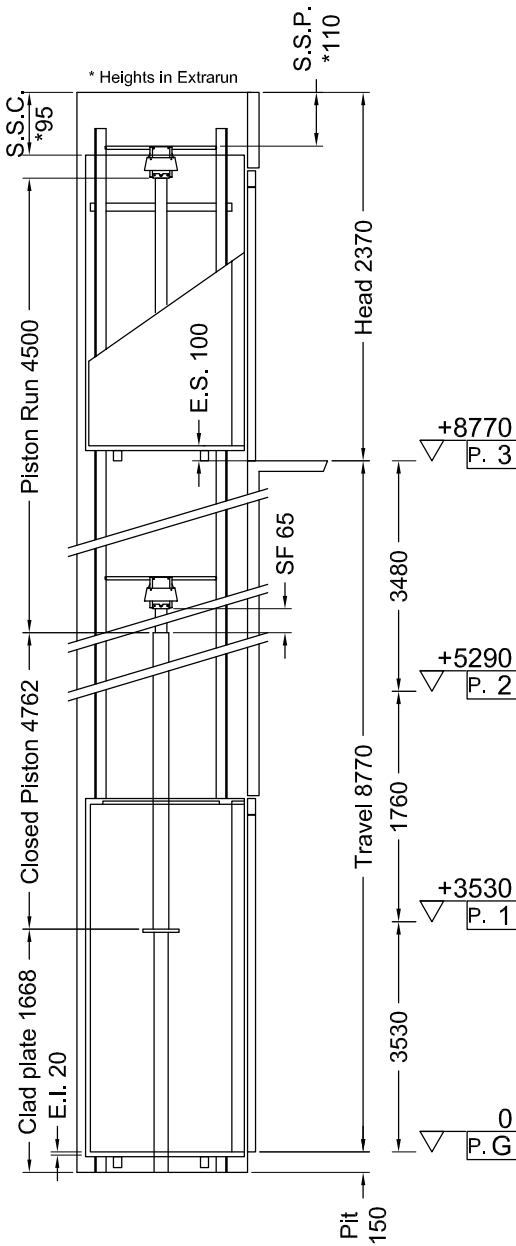
*Preliminary Plans Only: NOT for Construction*

		Designer	Date	Final Design Drawings	
		D.Ogliastro	21/01/2014	Model	SHEET
		D.Ogliastro	09/01/2014	ELFO	1/3
		Colamarino	09/07/2013		SHEET DIMENS.
		Final Design Drawings	1° STESURA		A3
		Colamarino	28/06/13		SCALE
		CAPACITY	AREA m <sup>2</sup>	CAPACITY	
		300 Kg	1,47		

**ACCESSORI:**

- Chiave abilitazione pulsantiera cabina a doppia estrazione
- Guide in barre da 2,5 m
- Pompa a mano
- Pressostato con segnalazione di sovraccarico
- Due velocità
- Ritorno piano basso con tempo regolabile
- Dispositivo falsa testata
- Telefono da Lift Shop
- Fotocellula tutta parete V2
- Manovra Automatica 2011
- Pulsante G

Indirect Installation	Speed 0,3 m/s	21/01/14 08.47 (V.2836)
THRUST DURING NORMAL OPERATION		THRUST OF SAFETY DEVICE INTERVENT.
P	(N) 11826	P (N) 697
N	(N) 1005	N (N) 8192
F1	(N) 1525	F1 (N) 2541
F2	(N) 388	F2 (N) 646

MACHINERY LOCATION			
At floor	0	Length of the hose travel	3000 (mm)
Cables enter in shaft: Side	A	Hydraulic unit model	-*

CABIN		CABIN ACCESSORIES	
Panels	<b>Simlinox F12PPS</b>	Panoramic	<b>Lati C</b>
Finishes	<b>Inox Scotch Brite</b>	Handrail	<b>INOX S.B., Lati C</b>
Oper. panel	<b>VERTICAL</b>	Outside covering	<b>Side B,C,D</b>
Floor	<b>By Customer</b>	Outside finishing	<b>Simlinox F12PPS</b>
Roof	<b>SPOTS LED - Simlinox F12PPS</b>		

- OTHER ACCESSORIES**
- Enabling key for the cabin button pad, double insertion
  - Guides dimension 2.5 m
  - Manual pump
  - Manostat with overweight signal
  - Two speed
  - Return to the lower floor after adjustable time
  - False head device
  - Telephone by Lift Shop
  - Full height infra-red curtain V2
  - Automatic Control 2011
  - G Key

The approval of this plan serves also as confirmation of delivery of the masonry manual rev.4. | \* See masonry manual rev. 4

Final Design Drawings Colamarino	1° STESURA 28/06/13
<b>Final Design Drawings</b>	
SCALE OUT OF SCALE	SHEET 2/3

**Shaft V66 ()**

ENVIRONMENT	VERSION	CLADDING	START	ROOF	ANCHORAGE
Inside	RAL 9006	Glass Transparent	Pit bottom	For Inside	Anchorage to care of the Customer. Ancoraggio a cura del Committente.
Interno	RAL 9006	Vetro trasparente	Fondo Fossa	Per interno	

*Anchorage in height of 3 frames in head and every 3.5 m max*

