

FLOOR DOOR

Side B	Side C	Side D	VERSION	H LIGHT	H FRAME	WINDOW	GLASS	ACCESSORIES	C1	C2	PM	PE
		1	Landing Doors and Frames: Similinox	2000	2240	Absent				X		
		2 3	El 120 - Doors and Frames Galvanized	2000	2258	Absent				X	X	

C1 = Enabling key for the floor button pad (single insertion) C2 = Enabling key for the floor button pad (double insertion) PM = Button pad on the wall PE = Outside lock and button pad

Shaft V66 ()

ENVIRONMENT	VERSION	CLADDING	START	ROOF	ANCHORAGE
Inside	Galvanized	Excluded	Pit bottom	Excluded	Anchorage to care of the Customer. Ancoraggio a cura del Committente.
Interno	Zincata	Assente	Fondo Fossa	Assente	

**Approved for
PRODUCTION**

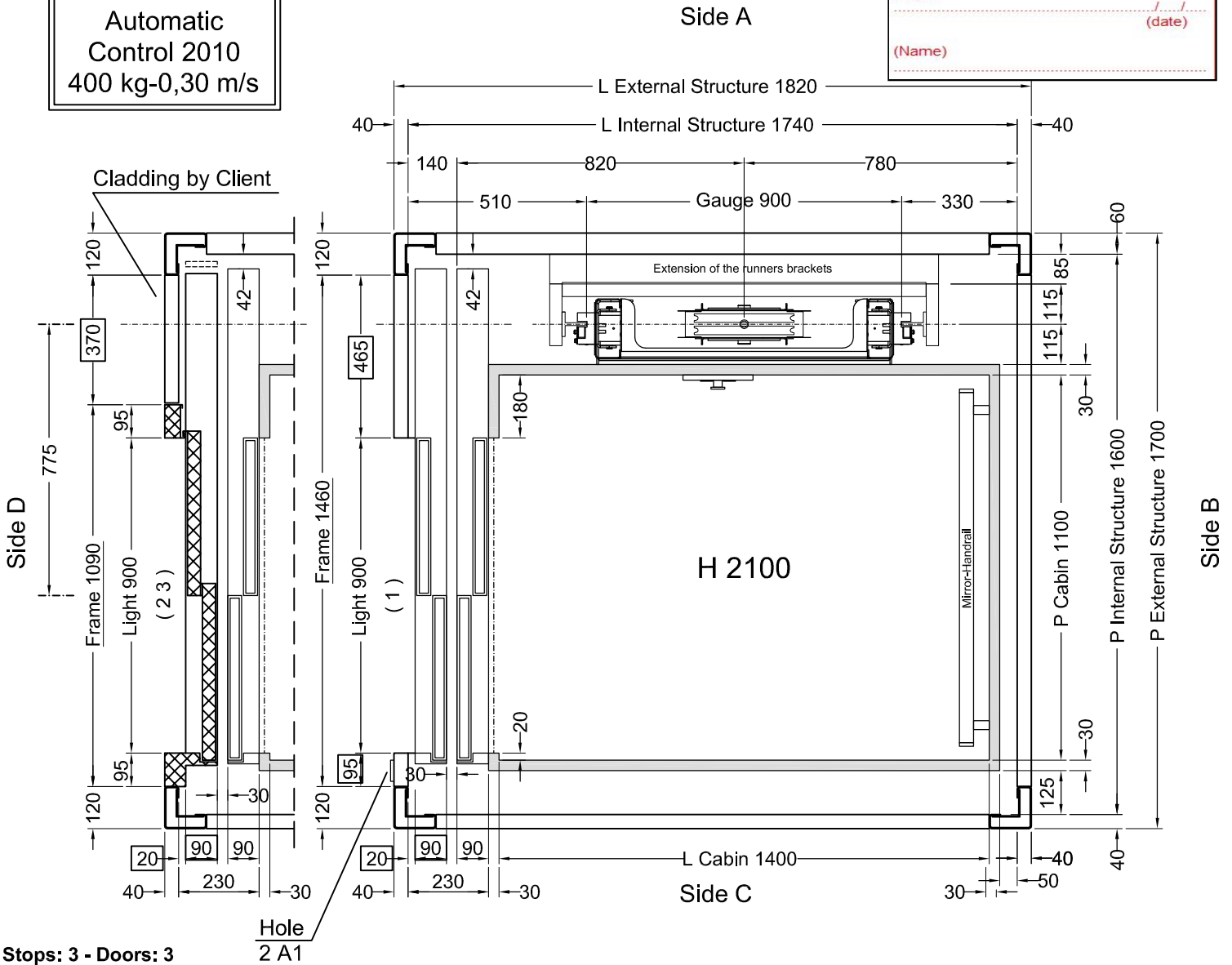
Confirmed By Customer:

(Sign)

(date)

(Name)

**Elfo 2
Automatic
Control 2010
400 kg-0,30 m/s**



Stops: 3 - Doors: 3

Shaft in **Shaft V66 ()**

FINAL DESIGN

Designer	Date
D.Ogliastro	09/04/2013
L.Del Bianco	15/03/2013
Preliminary Drawings	1° STESURA
L.Del Bianco	19/11/12

Final Design Drawings

SHEET

1/3

SHEET DIMENS.

A3

SCALE

1:12.5

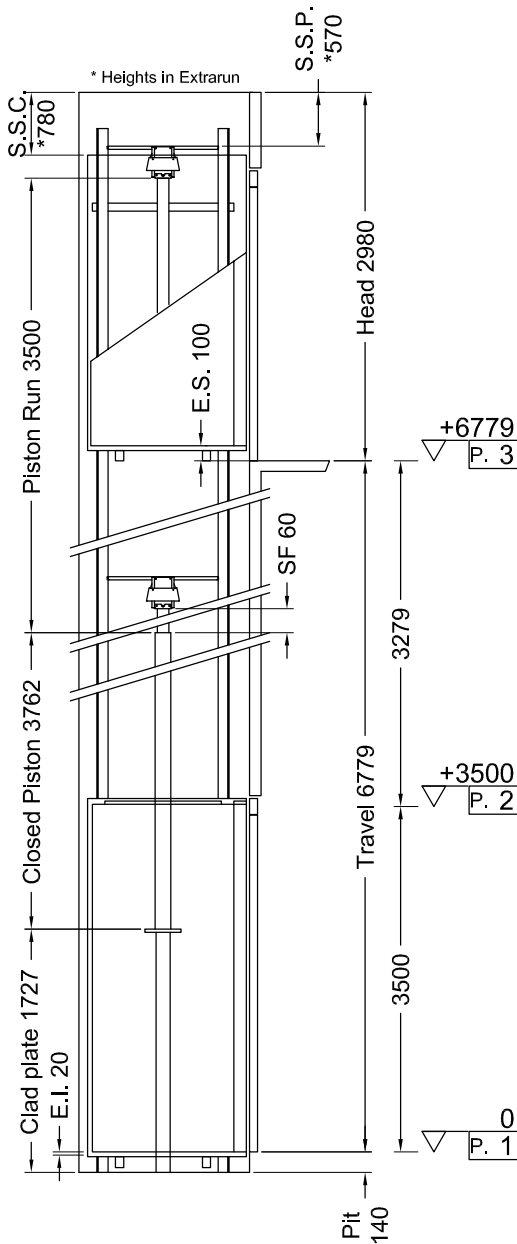


CAPACITY	AREA m ²	CAPACITY
400 Kg	1,54	

ACCESSORI:

- 2 Chiavi abilitazione pulsantiera cabina a doppia estrazione per i piani 2, 3
- Guide in barre da 2,5 m
- Pompa a mano
- Pressostato con segnalazione di sovraccarico
- Due velocità
- Ritorno piano basso con tempo regolabile
- Predispuesto per combinatore telefonico della Lift Shop
- Dispositivo falsa testata
- Telefono
- Fotocellula tutta parete
- Pulsanti di piano Braille
- Segnalatore acustico di arrivo al piano
- Pulsantiera a murare ai piani 2 e 3
- Manovra Automatica 2010
- ELFO 2

Indirect Installation	Speed 0,3 m/s	09/04/13 09.39 (V.2773)
THRUST DURING NORMAL OPERATION		THRUST OF SAFETY DEVICE INTERVENT.
P	(N) 13685	P (N) 668
N	(N) 841	N (N) 9296
F1	(N) 1734	F1 (N) 2889
F2	(N) 388	F2 (N) 647



Approved for PRODUCTION

Confirmed By Customer:

(Sign) _____

/ / (date)

(Name) _____

MACHINERY LOCATION	
At floor	1
Length of the hose travel	4000 (mm)
Cables enter in shaft: Side	A

CABIN	CABIN ACCESSORIES
Panels	Avorio PPS11
Finishes	Similinox F12PPS
Oper. panel	VERTICAL
Floor	CRISTALLINO 466
Roof	SPOTS LED - Blanco A1
Cabin Doors	Side D: 2 Sliding Doors, Similinox F12PPS
Mirror	Side B
Handrail	Inox S.B., Side B

- | OTHER ACCESSORIES |
|---|
| 2** Enabling keys double insertion for the cabin button pad, for Levels 2 and 3 |
| Guides dimension 2.5 m |
| Manual pump |
| Manostat with overweight signal |
| Two speed |
| Return to the lower floor after adjustable time |
| <u>Prepared for Autodlaler by Lift Shop</u> |
| False head device |
| Telephone |
| Full height Infra-red curtain |
| Landing buttons Braille |
| Gong to indicate the floor level |
| <u>Floor Button Pad fixed to the Wall: Level 2 and 3</u> |
| Automatic control 2010 |
| ELFO 2 |
- (**) With different codes

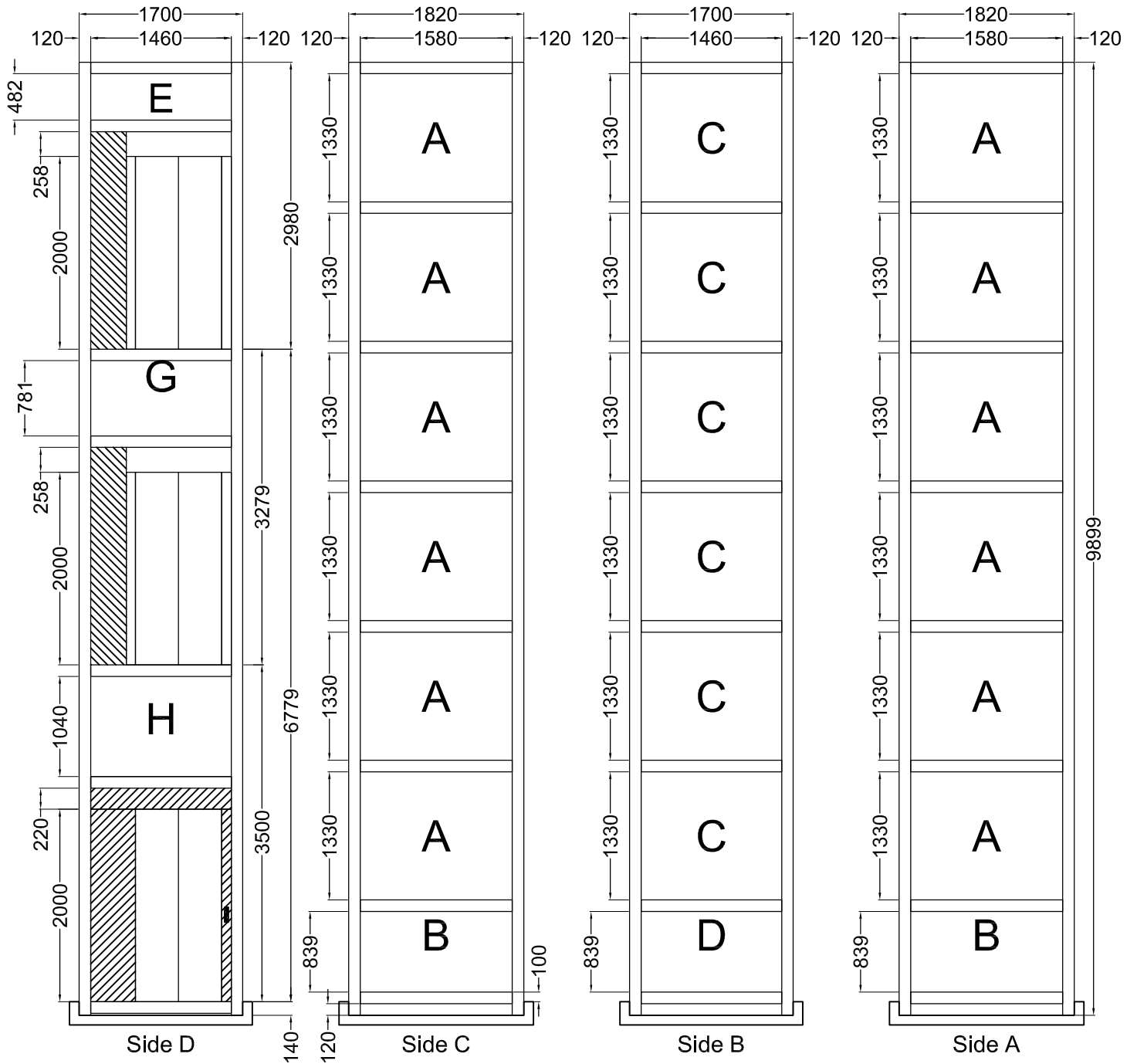
FINAL DESIGN



Final Design Drawings	1° STESURA
L. Del Bianco	19/11/12
Final Design Drawings	
SCALE	SHEET
OUT OF SCALE	2/3

Shaft V66 ()

ENVIRONMENT	VERSION	CLADDING	START	ROOF	ANCHORAGE
Inside	Galvanized	Excluded	Pit bottom	Excluded	Anchorage to care of the Customer. Ancoraggio a cura del Committente.
Interno	Zincata	Assente	Fondo Fossa	Assente	

Anchorage in height of 3 frames in head and every 3.5 m max



-  Cladding by Client
-  Frames: Similinox F12PPS