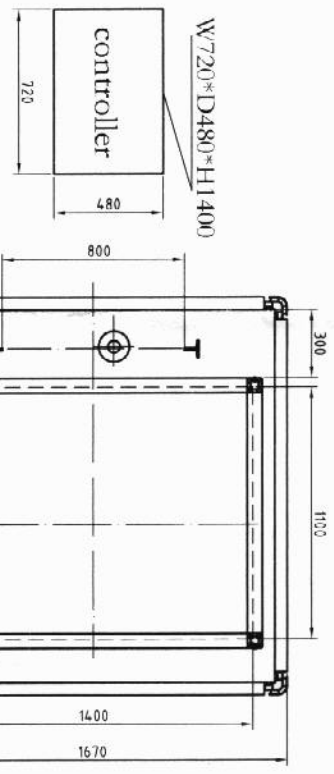
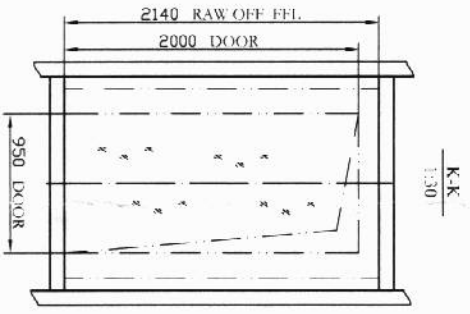


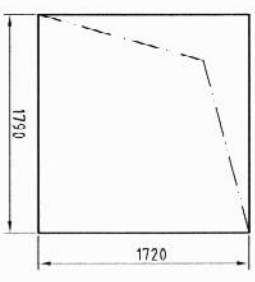
SHAFT SECTION



SHAFT PLAN
1: 20



SHAFT PIT AND FLOOR OPENING
1:40



Main Parameters:	
Type	TTY320/0.2
Load	320kg
Car Size	1100x1400x2000
Door Size	950x2000
Structure	At shaft
Door style	Car door Without Hall door Swing
Ratio	Side acting 2:1
Speed	0.2m/s
Output	2.9KW
Power Pact	Drive 240V 1 phase
	Light 240V 1 phase 50Hz 20A

SHOW ROOM:

NSW:
 1/75 Consh Circle
 Eastgardens NSW 2036
 T: (02) 9666 3939
 F: (02) 9666 3949
 VIC:
 1/1 Belgium Ave
 Richmond, 3121
 T: (03) 9421 4222
 F: (03) 9421 4333
 Toll Free: 1800 440 714
 www.liftshop.com.au

Project: 81138

Controller position	
Project	81138
Customer	
Contract No.	
inClose	inNear
oLRoB	oLR m

320kg hydraulic homelift

Design	Check	Approved	Date
Lingling	guzhic 5th	kyngiam 01	2008.9.24

