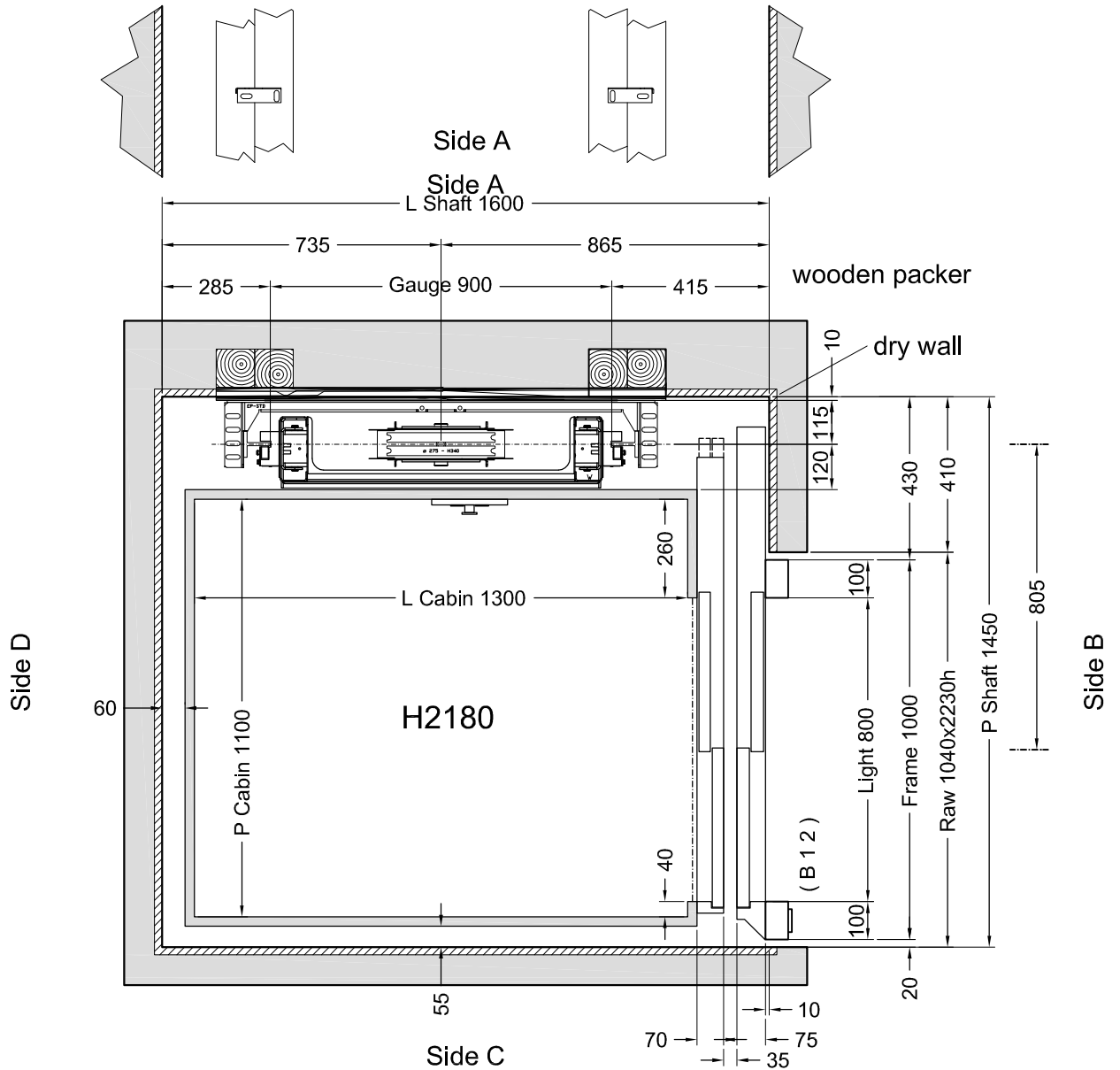


FLOOR DOOR

Side B	Side C	Side D	VERSION	H LIGHT	H FRAME	FRAME	WINDOW	GLASS	ACCESSORIES
B 1 2			2 Panels F41PPS	78 3/4"	87"	F41PPS	Absent		C2

C1 = Enabling key for the floor button pad (single insertion) C2 = Enabling key for the floor button pad (double insertion) PM = Button pad on the wall PE = Outside lock and button pad



Stops: 3 - Doors: 3

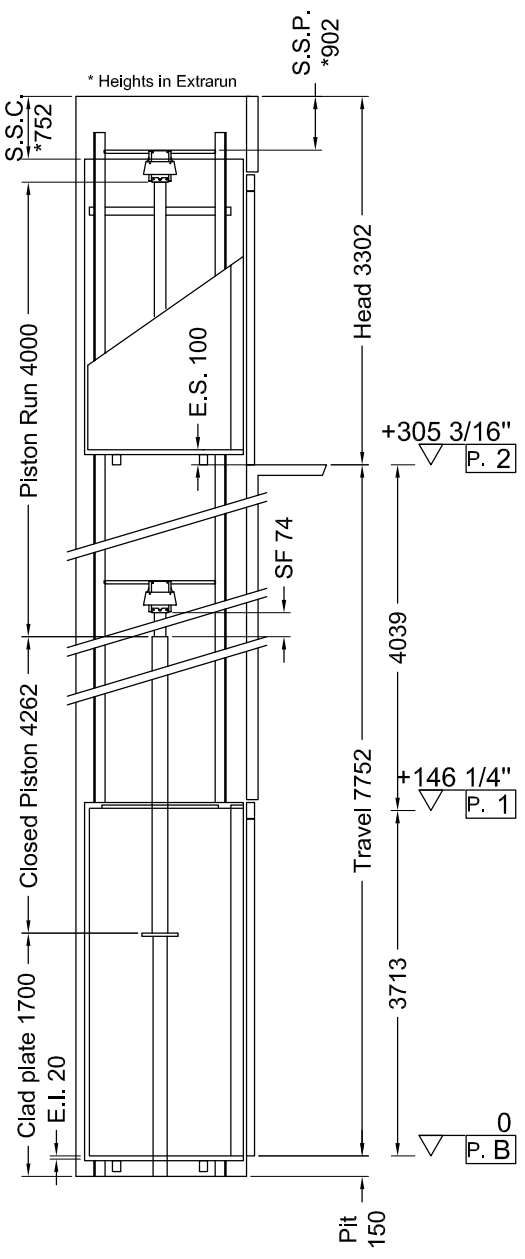
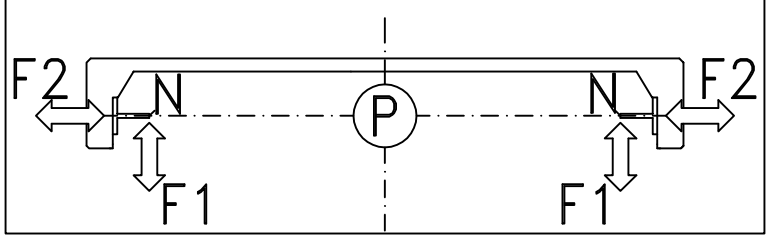
Shaft in **Timber**

Customer own flooring: Dimensions **52 3/16" (L) x 43 5/16" (P)** thk **1 3/16"** Weight: **35 lbs**

ATTENTION: MISSING DATA. SEE ENCLOSED PAGE.
Preliminary Plans Only: NOT for Construction

		Designer	Date	Preliminary Drawings	
					Model
		D.Ogliastro	14/03/2016	ELFO 2	1/3
		D.Ogliastro	11/01/2016		SHEET DIMENS.
		D.Ogliastro	17/12/2015		A3
		Preliminary Drawings D.Ogliastro	1° STESURA 17/11/15		SCALE
		CAPACITY	AREA R ²	CAPACITY	
		881 lbs	15,3		

THRUST DURING NORMAL OPERATION			THRUST OF SAFETY DEVICE INTERVET.		
P	(N)	13631	P	(N)	707
N	(N)	1065	N	(N)	9445
F1	(N)	1720	F1	(N)	2866
F2	(N)	361	F2	(N)	601



MACHINERY LOCATION			
At floor	B	Length of the hose travel	?? (Ft)
Cables enter in shaft: Side	A	Hydraulic unit model	--

CABIN		CABIN ACCESSORIES	
Panels	RAL 7022	Handrail	alluminio, Lati D
Finishes	F41PPS		
Oper. panel	VERTICAL		
Floor	By Customer		
Ceiling	SPOTS LED - Blanco A1		
Cabin Doors			
Side B: 2-Panels Automatic Sliding doors, F41PPS			

OTHER ACCESSORIES
Enabling key for the cabin button pad, double insertion
Guides dimension 98 7/16"
Piston In 2 pcs
Manual pump
Manostat with overweight signal
<u>Two speed</u>
Return to the lower floor after adjustable time
Telephone (predisposition Only)
Full height infra-red curtain V2
Landing buttons Braille
Automatic Control 2011
Call Accept
Emergency manual descent from cabin
<u>Door Open Button on C.O.P.</u>
<u>Blue buttons</u>

The approval of this plan serves also as confirmation of delivery of the masonry manual rev.6. | * See masonry manual rev. 6