

NOTE:
 - ELECTRIC PANEL WITH MICROCONTROLLER CARD AND MULTIVISION DISPLAY
STANDARD ACCESSORIES:
 - REMOVABLE ENABLING KEY FOR THE FLOOR BUTTON PANEL ON "1 2 3 4" LEVEL LANDING
 - PUSH BUTTON PANEL VERTICAL
 - POLISHED STAINLESS STEEL CABIN HANDRAIL
NOT STANDARD ACCESSORIES:
 - FULL HEIGHT INFRA-RED CURTAIN
 - AUTO DIALER EXCLUDED
 - SECURITY KEYPAD ON "G" LEVEL LANDING
 - CABIN PREPARED FOR FLOOR COVERING AT CUSTOMER EXPENSE (FLOOR THICKNESS 15 mm - MAX WEIGHT 20 Kg)

FT_02178

cabin mass and operators (Kg)	ATLANTIS - RW 397
cabin panels	RAL 7022 Satin Finish INOX BA mecc.
finishings	ESCLUSO DALLA FORNITURA
floor	Verticale a n° 7 fori
push button panel	Faretti LED INOX BA mecc. - LED 24V
roof	RAL 7022 Satin Finish (oper. Prisma "Micro Std")
cabin doors colour	RAL 7022 Satin Finish
landing doors colour	RAL 7022 Satin Finish
frame landing doors colour	RAL 7022 Satin Finish
electrical s. cabinet colour	RAL 7022 Satin Finish

Provide an inspectionable canalization to allow the way to the piping and to the electrical installation.

Handling switchboard at floor 4 protected against water leaks and inside of the building.



blancing mass P (N) 36803
cabin N (N) 49163

Fx (N) 1933
Fy (N) 910
s (N) 8073
d (N) 8073
s' (N) 6949
d' (N) 6949

Fx (N) 3222
Fy (N) 4481
s (N) 2027
d (N) 26608
s' (N) 903
d' (N) 903

reference directive 95/16/CE
maneuver universale
voltage of the battery charger (V) 230V
batteries 12V 27Ah

reduction gear TTN331G
motor TTN209D 42Vcc 2070W 66A
block brake 23 N/m - 24V

arcade 950-m120x1100-H2550
safety gear LVT2000 DX P+Q=1179-1371 KG n. 2
arcade mass (Kg) 201
balancing (%) 49
balancing mass (Kg) 885
lamriere sp. 5 mm n° 165
pani n° 6x350 + n° 2x250 + n° 2x200
WOLF n° 7x6,5 - [mm] 17000

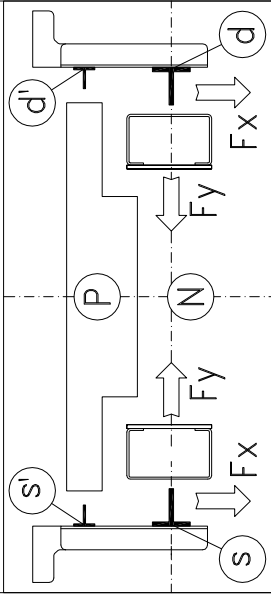
suspension cables
minimum breaking load (N) 31500
balanc. mass shock absorbers ETN 125 x 80
cabin shock absorbers ETN 125 x 80
cabin guides T80x80x9 x 15565 mm - staffe n° 14
balancing mass guides T45/A x 15565 mm

max speed (m/s) 0,5
load capacity (Kg) 630
people capacity 8

Interfloors

4/5 = 3065 mm
3/4 = 3040 mm
2/3 = 3420 mm
1/2 = 2990 mm

THE QUOTES ON THE VERTICAL SECTIONS ARE NOT IN SCALE



DISIGNO DFFINITIVO

FT_02178

NOTES FOR THE CUSTOMER

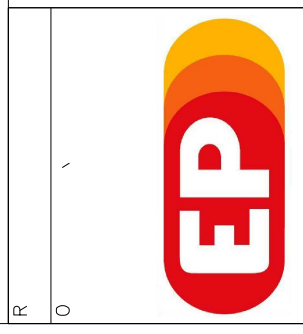
THE HORIZONTAL AND VERTICAL LOAD BEARING STRUCTURES MUST BE ABLE TO SUSTAIN THE LOADS INDICATED. THE HOISTWAY SHAFT MUST BE VENTILATED ACCORDING TO THE EXISTING NORMATIVES AND CONSTRUCTED IN ORDER THAT ALL EQUIPMENTS INSIDE IT ARE PROTECTED FROM DUST, UNHEALTHY VAPOUR AND HUMIDITY. THE DIMENSIONS OF THE LEVATOR SHAFT MUST BE GUARANTEED WITH AN ALLOWANCES OF 1 CM AND THE WALLS MUST BE PERFECTLY PLUMBED. IN THE CASE IN WHICH THE PIT IS MORE THAN 500 MM BUILT-IN STEPS ARE NECESSARY (140X100X400). THE CUSTOMER HAS TO WATERPROOF THE PIT AFTER THE FIXING OF THE EQUIPMENT IN THE PIT BOTTOM. THE PROJECT IS COMPILED IN ACCORDANCE TO THE EXISTING NORMATIVES.

FOR APPROVAL OF EVERYTHING CONCERNING THE MASONRY PARTS OF THE SHAFT.

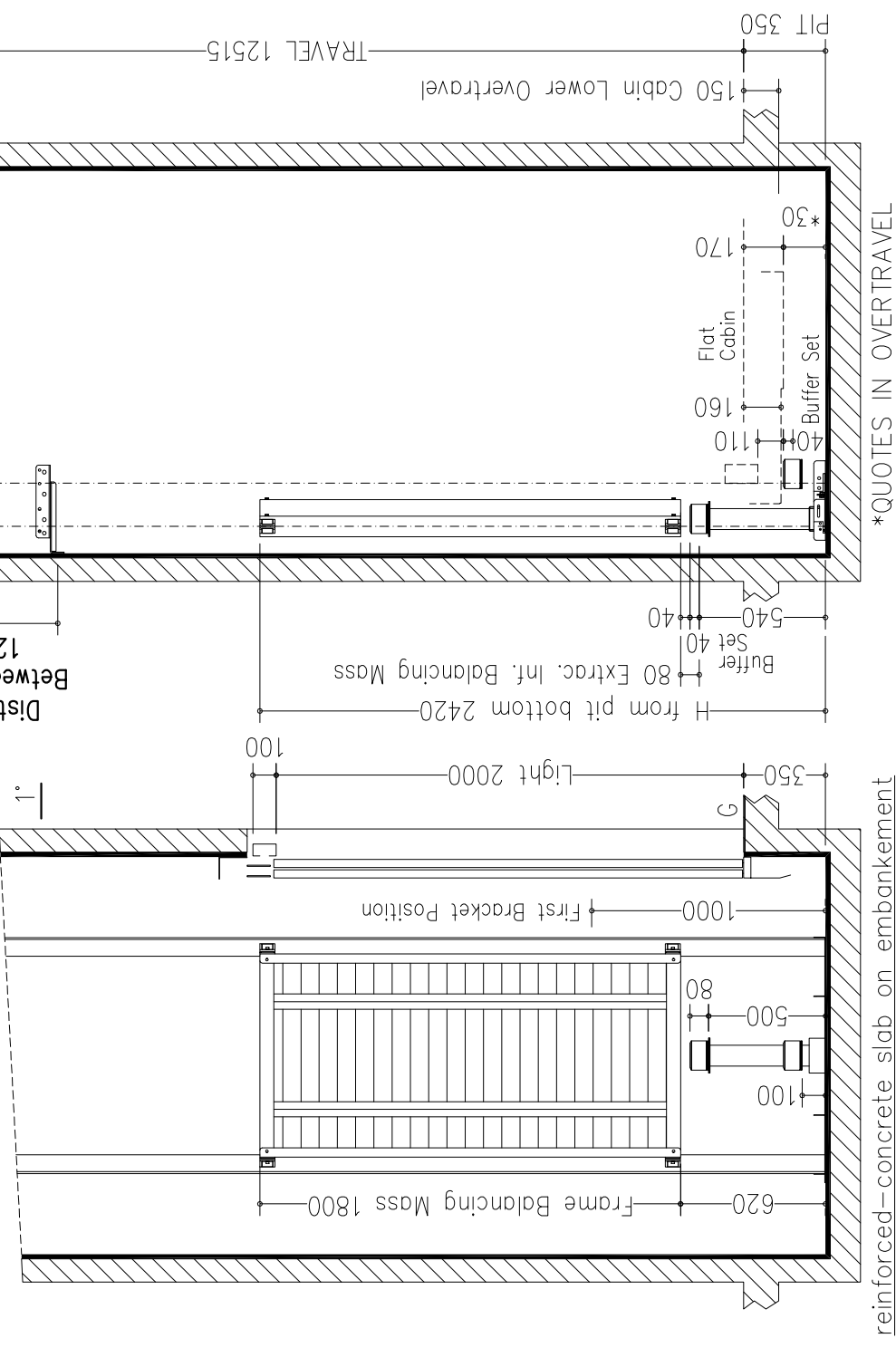
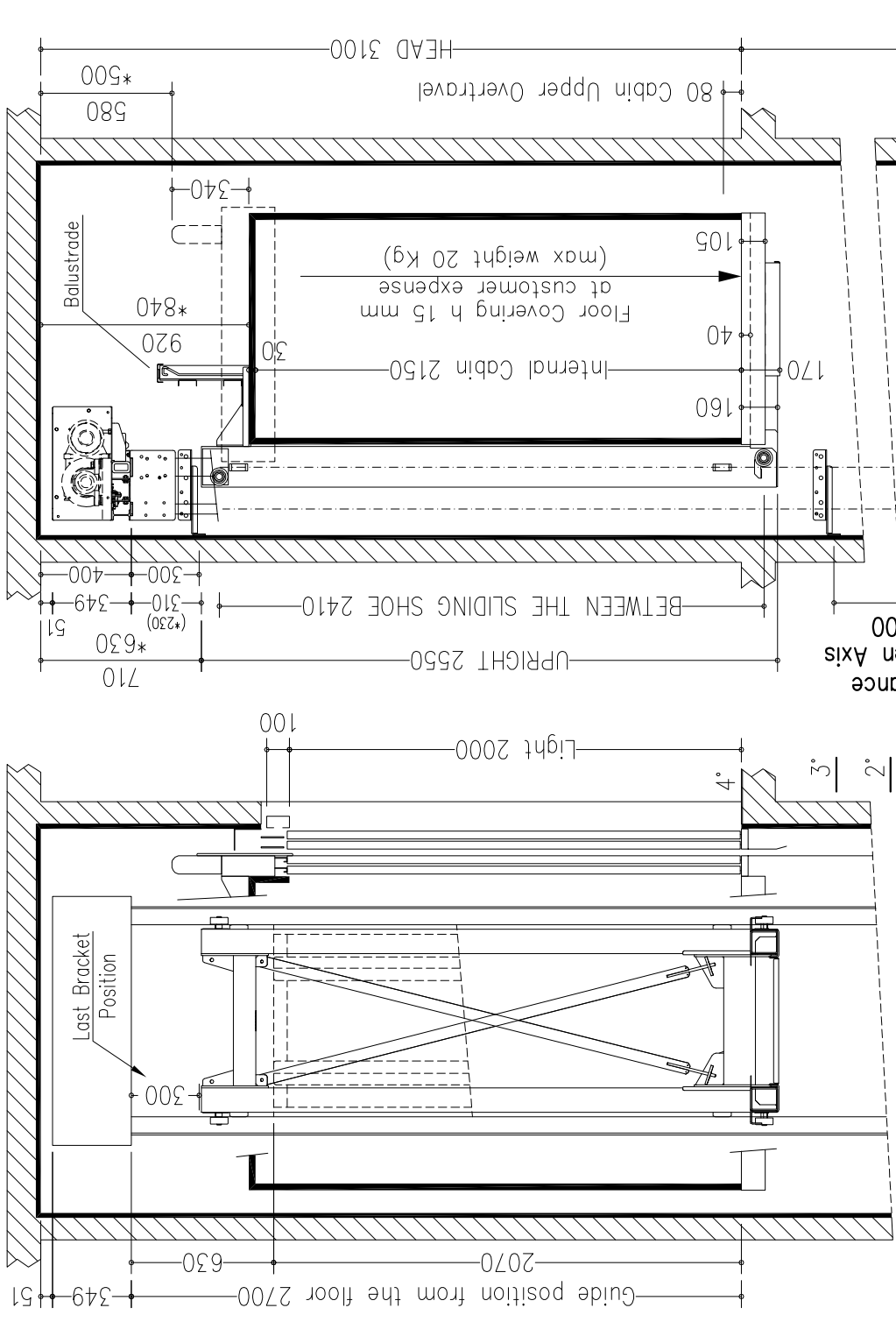
DATE SIGN

SI (L) I PEINFORCIGD CONCRETI

Modifications



SECTION A-A
VENTILATION ON THE TOP OF THE SHAFT COMPLYING TO THE EXISTING NORMATIVES



reinforced-concrete slab on embankment