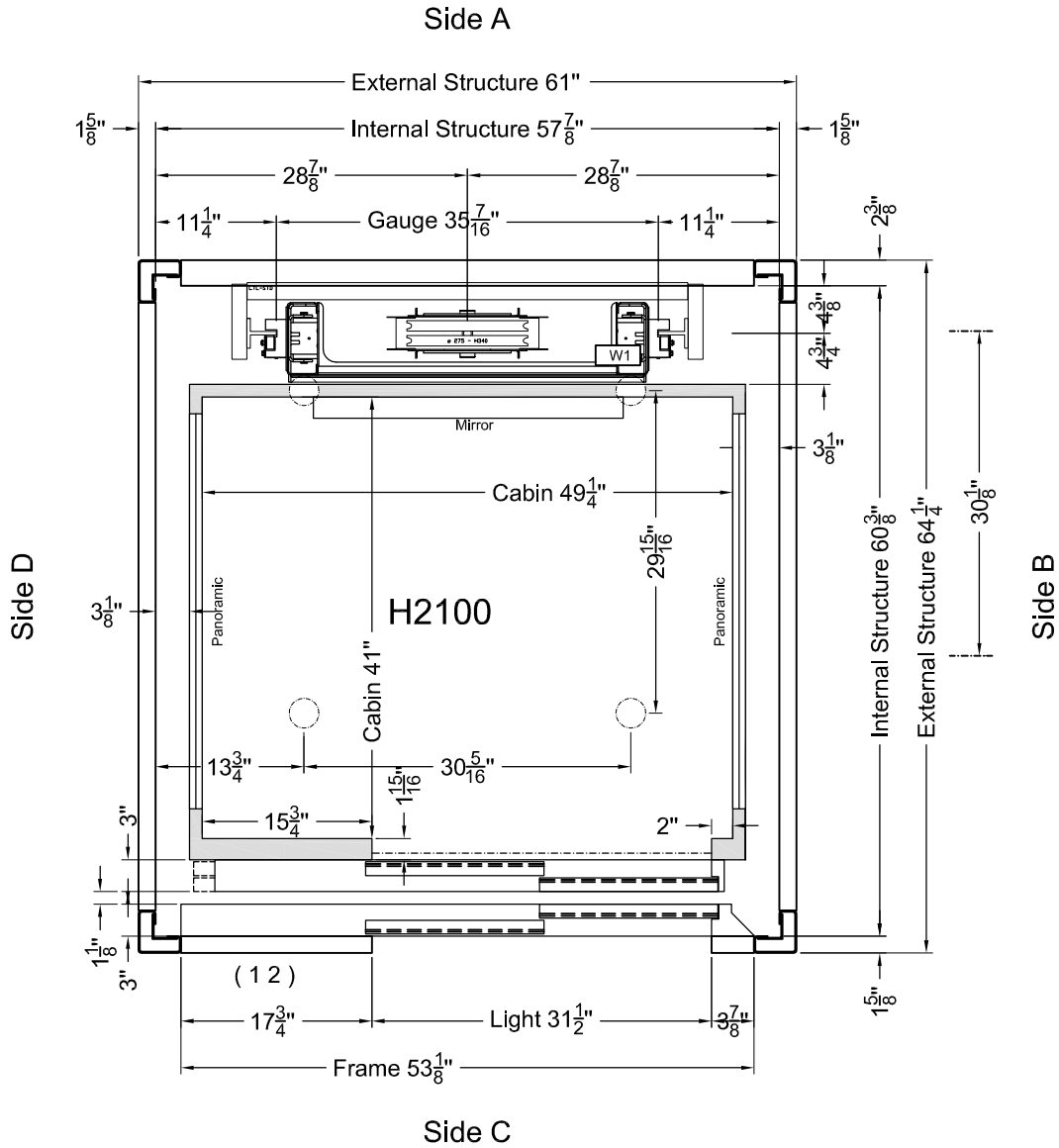


## FLOOR DOOR

Side B	Side C	Side D	VERSION	H LIGHT	H FRAME	FRAME	WINDOW	GLASS	ACCESSORIES
	1 2		2 Panels Inox Scotch Brite	78 3/4"	87"	Inox Scotch Brite	Panoramic	Transparent	C2

C1 = Enabling key for the floor button pad (single insertion) C2 = Enabling key for the floor button pad (double insertion) PM = Button pad on the wall PE = Outside lock and button pad




Customer own flooring: Dimensions **49 1/4"**(L) x **42 7/8"**(P) thks **9/16"** lbs **57**

**Feasibility n° 2021**

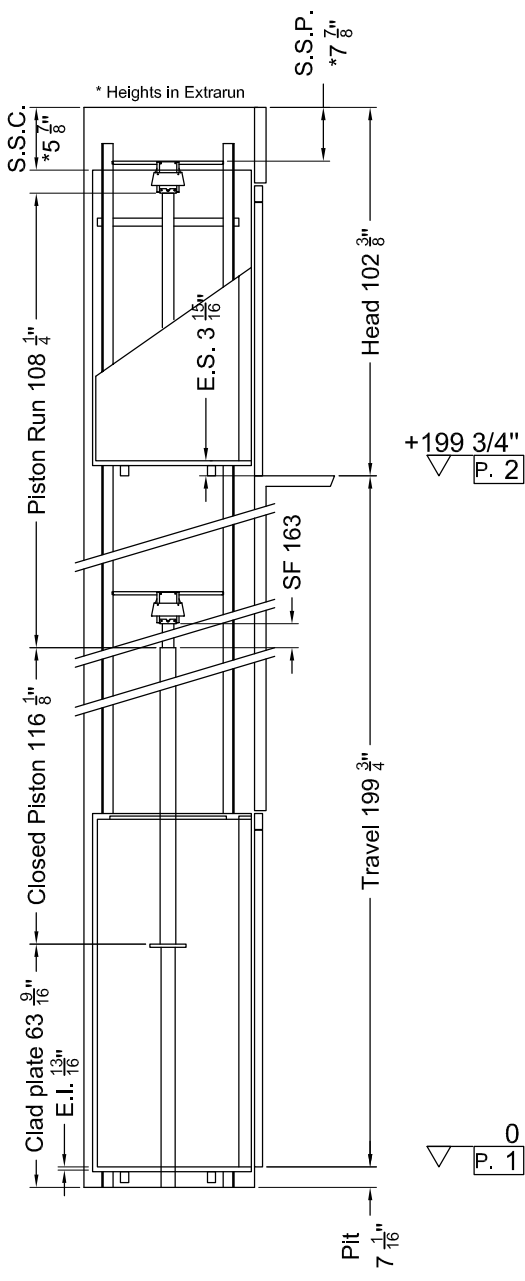
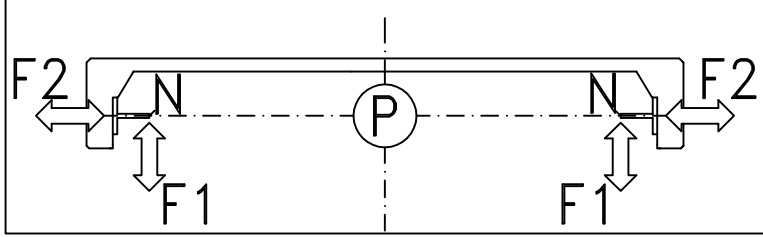
**Stops: 2 - Doors: 2**

Shaft in **Shaft V66 ( )**

○ Rubber Bumpers thickness 1"

		Designer	Date	Final Design Drawings	
		D.Ogliastro	28/09/2015	Model	SHEET
		D.Ogliastro	25/07/2015	<b>ELFO 2</b>	<b>1/3</b>
		D.Ogliastro	29/07/2015		SHEET DIMENS.
		D.Ogliastro	21/07/2015		<b>A3</b>
		Final Design Drawings D.Ogliastro	1° STESURA 25/03/15	SCALE	<b>1:12.5</b>
		CAPACITY	AREA R <sup>2</sup>	CAPACITY	
		<b>882 lbs</b>	<b>13,99</b>		

THRUST DURING NORMAL OPERATION			THRUST OF SAFETY DEVICE INTERVENT.		
P	(lbf)	3310	P	(lbf)	144
N	(lbf)	166	N	(lbf)	2228
F1	(lbf)	415	F1	(lbf)	691
F2	(lbf)	86	F2	(lbf)	143



MACHINERY LOCATION			
At floor	1	Length of the hose travel	45 (ft)
Cables enter in shaft: Side	A	Hydraulic unit model	-*

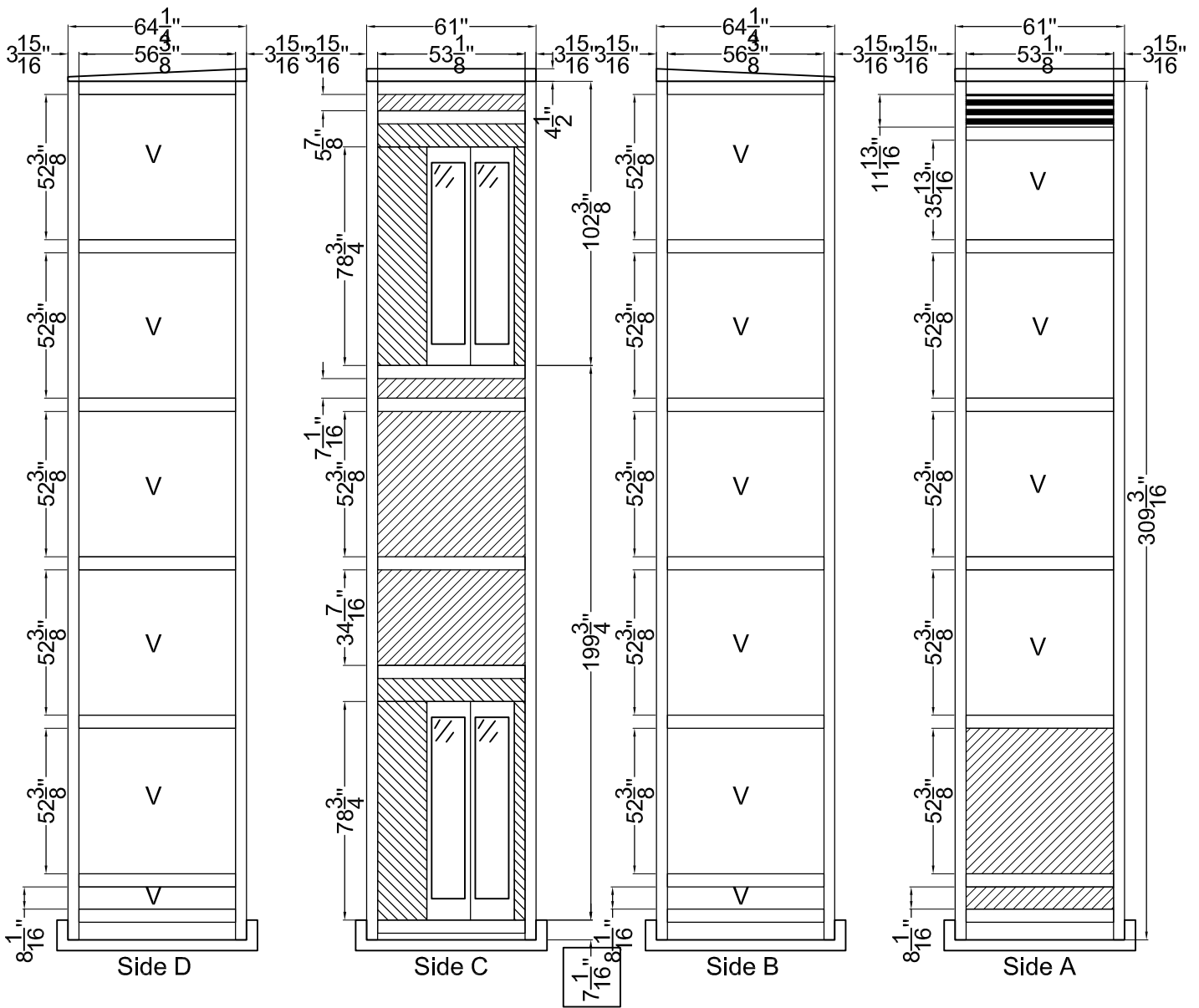
CABIN		CABIN ACCESSORIES	
Panels	Inox BA mecc.	Mirror	Lati A
Finishes	Inox BA mecc.	Panoramic	Lati B , D
Oper. panel	HORIZONTAL	Outside covering	Side B , D
Floor	By Customer	Outside finishing	Inox Scotch Brtte
Ceiling	SPOTS LED - Inox BA mecc.		
Cabin Doors			
<b>Side C: 2-Panels Automatic Sliding panoramic doors, Inox SB , transparent</b>			

- OTHER ACCESSORIES**
- Enabling key for the cabin button pad, double insertion
  - Guides dimension 98 7/16"
  - Piston painted RAL 9005 & Mechanical painted RAL 9005
  - Manual pump
  - Manostat with overweight signal
  - Two speed
  - Return to the lower floor after adjustable time
  - Cabinet General switcher to enabling controller
  - False head device
  - Telephone (predisposition Only)
  - Full height Infra-red curtain V2
  - Automatic Control 2011
  - Hydra 3000
  - Red buttons in cabin and floor with single arrow
  - All glass excluded

### Shaft V66 ()

ENVIRONMENT	VERSION	Cladding	START	ROOF	ANCHORAGE
Outside	RAL 9023	Glass excluded	Pit bottom	For Outside	Anchorage to care of the Customer. Ancoraggio a cura del Committente.
Esterno	RAL 9023	Vetri esclusi da fornitura	Fondo Fossa	Per esterno	

*Anchorage in height of 3 frames in head and every 3.5 m max*



ORDER	Final Design Drawings	1° STESURA