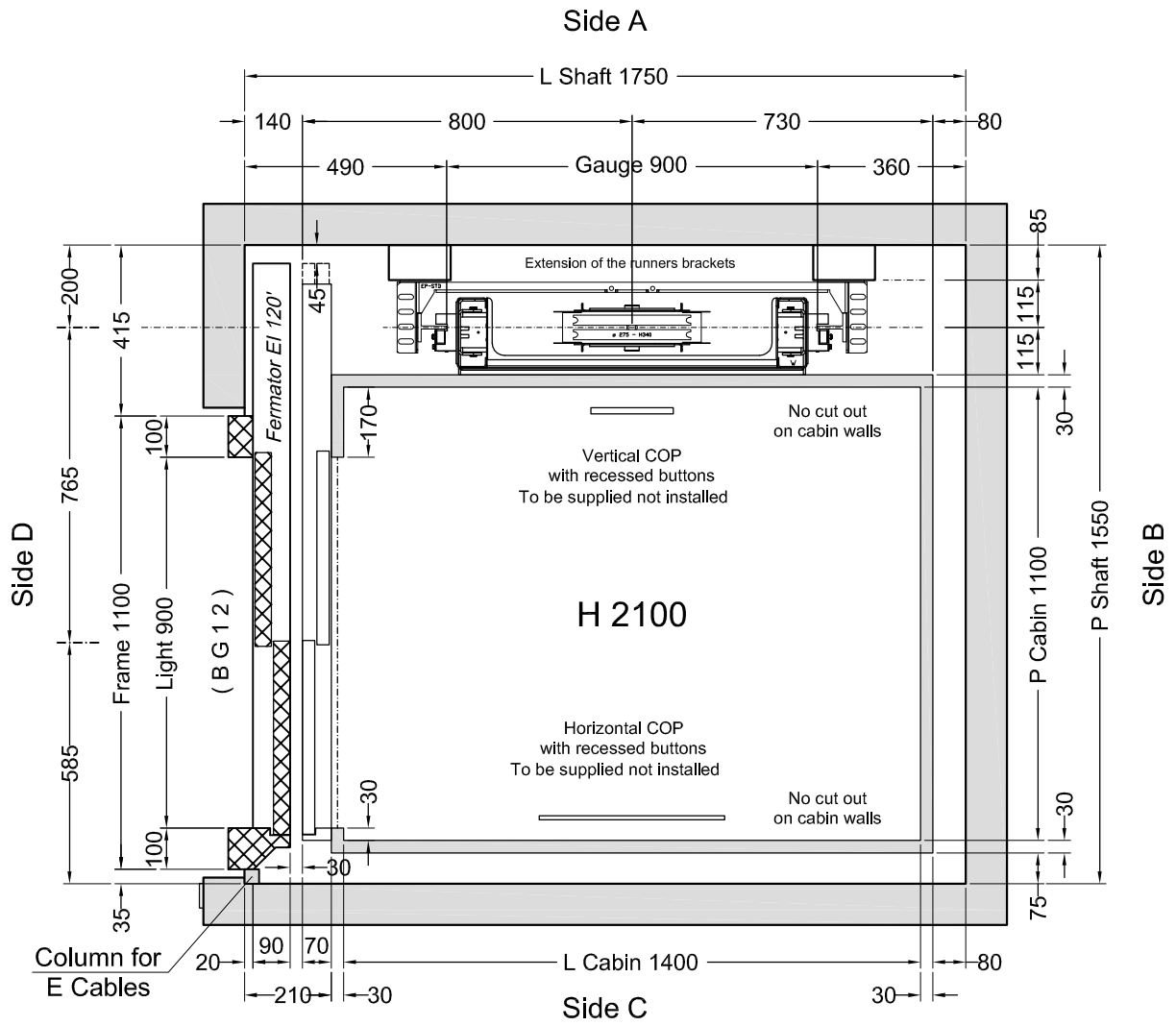


FLOOR DOOR

Side B	Side C	Side D	VERSION	H LIGHT	H FRAME	FRAME	WINDOW	GLASS	ACCESSORIES
		B G 1 2	2 Panels EI120' - RAL 7001	2000	2210	RAL 7001	Absent		C2 - PM - <u>Icaro Display</u>

C1 = Enabling key for the floor button pad (single insertion) C2 = Enabling key for the floor button pad (double insertion) PM = Button pad on the wall PE = Outside lock and button pad



Feasibility n° 2112 - 2 Recessed COP H+V not installed

Customer own flooring: Dimensions 1430 (L) x 1100 (P) thks 15 mm Weight: 50 kg

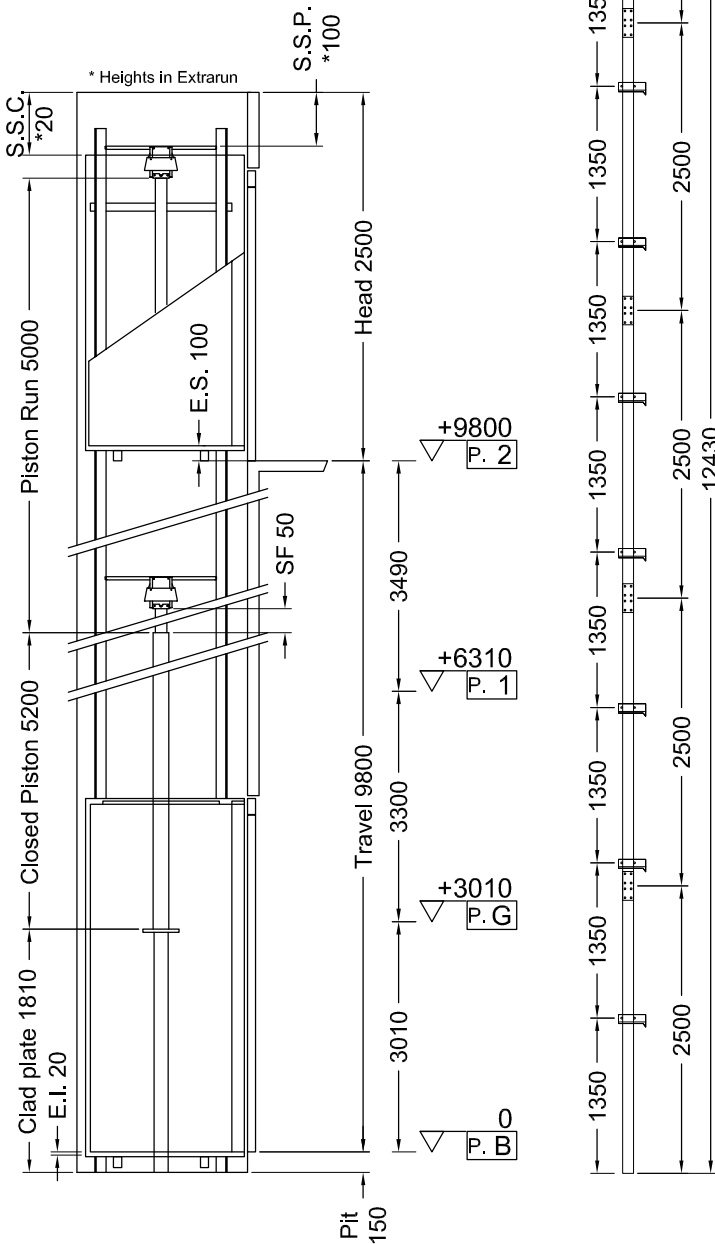
Stops: 4 - Doors: 4

Shaft in **Masonry (Muratura)**

		Designer	Date	Final Drawings	
				Model	SHEET
				ELFO 2	1/2
		L. Del Bianco	13/10/2014		SHEET DIMENS.
	L. Del Bianco	22/09/2014	A3		
		Final Drawings L. Del Bianco	1° STESURA 13/10/14		SCALE 1:12.5
		CAPACITY	AREA m ²	CAPACITY	
		350 kg	1,54		

ACCESSORI:

- Chiave abilitazione pulsantiera cabina a doppia estrazione
- Guide in barre da 2,5 m
- Pistone In due pezzi
- Pompa a mano
- Pressostato con segnalazione di sovraccarico
- Due velocità
- Ritorno piano basso con tempo regolabile
- Dispositivo falsa testata
- Telefono a cura Lift Shop
- Fotocellula tutta parete V2
- Pulsanti di piano Braille
- Segnalatore acustico di arrivo al piano
- Pulsantiera a murare ai piani
- Display ICARO in cabina
- Manovra Automatica 2011
- 2 Pulsantiera cabina con pulsante Apriporta
- Pulsanti: **B G 1 2**



Indirect Installation	Speed 0,30 m/s	13/10/14 17.02 (V.2846)
-----------------------	----------------	-------------------------

THRUST DURING NORMAL OPERATION			THRUST OF SAFETY DEVICE INTERVENT.		
P	(N)	14268	P	(N)	846
N	(N)	1107	N	(N)	9773
F1	(N)	1767	F1	(N)	2946
F2	(N)	374	F2	(N)	623

SPACES		PRESSURES		
E.I.	Extrusion below cabin (mm)	20	Max static pressure (bar)	35,23
E.S.	Extrusion above cabin (mm)	100	Min static pressure (bar)	21,57
SF.	Piston extraction (mm)	50	Overpressure limit (bar)	49,33
S.S.P.	Piston/head (mm)	100	Residual pressure (bar)	1,68
S.S.C.	Cabin/head (mm)	20		

HYDRAULIC UNIT		MECHANICAL PARTS	
Central unit	GMV HL 3010 (-*)		
Capacity (l/min)	43	Runners	T70-2A
Motor (V)	MF230V	Brackets	(Nr) 9
Power (Kw)	3,4	Cables	Ø 11 mm 6-(1+9+9)
Nominal current (A)	19	Cables length (mm) 2 x	15000
Piston	START SL (Ø) 80x5x5000	Min actual breaking load (N)	70700
Opt. oil position	BASSO		
Tubing	3/4" EN 853 1SN - FD 3/4" - FD 3/4"		
Tubing length (mm)	6000		
Min hydraulic oil (L)	65		

SECURITY DEVICES	Manufacturer	Model	Certificate
Safety Gear	PFB	BP1	TÜV AFV515
Block Valve	START ELEVATOR	1/2" 0326	CA50.00526
Key Locks	FERMATOR	210/10/40	

MACHINERY LOCATION			
At floor	B	Length of the hose travel	2000 (mm)
Cables enter in shaft: Side	A		

CABIN	CABIN ACCESSORIES
Panels	Galvanized sheet
Finishes	Galvanized sheet
Oper. panel	Vertical Side A and Horizontal Side C **
Floor	By Customer
Ceiling	SPOTS LED - Blanco A1
Cabin Doors	Side D: 2-Panels Automatic Sliding doors, Painted RAL 7001
	(**) Recessed buttons in cover plate Inox BA mecc.
	No cutout on Cabin Walls (Buttons into cover plate)

OTHER ACCESSORIES
Enabling key for the cabin button pad, double insertion
Guides dimension 2.5 m
Piston In 2 pcs
Manual pump
Manostat with overweight signal
Two speed
Return to the lower floor after adjustable time
False head device
Telephone by Lift Shop
Full height Infra-red curtain V2
Landing buttons Braille
Gong to indicate the floor level
Floor Button Pad fixed to the Wall
ICARO display In cabin
Automatic Control 2011
Door Open Buttons on 2 C.O.P.
Buttons: B G 1 2



Final Drawings	1° STESURA
L. Del Bianco	13/10/14
Final Drawings	
SCALE	SHEET
OUT OF SCALE	2/2